

# 1993 FALL • WINTER RESOURCE GUIDE

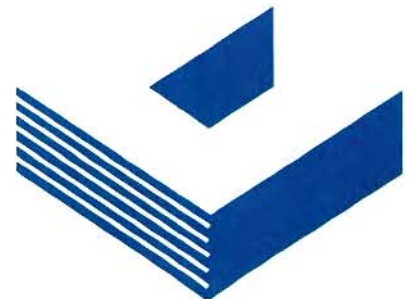
CONCURRENT ENGINEERING  
TOOLS FOR THE 90'S

THIRD PARTY SOFTWARE

HARDWARE/PERIPHERALS

TRAINING AND EDUCATION

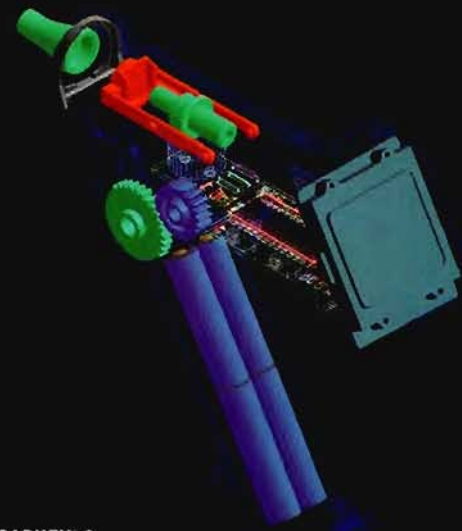
USERS GROUPS



# Parametrics for **CADKEY®**

Parametric Solution (PS) stretches Cadkey's abilities in mechanical design a step further. It allows you to mold Cadkey to fit your individual design needs. Cadkey contains a powerful programming language called CADL. Unfortunately, developing programs in CADL takes time and experience. PS changes this by converting dimensioned drawings into easy to use parametric programs. Using PS, anyone who can draw and dimension in Cadkey can make their own parametric programs. Once a parametric program has been developed, it can be used over and over to generate any variation of...

- Proposal Drawings
- Job Drawings
- Specification Sheets
- Family of Parts

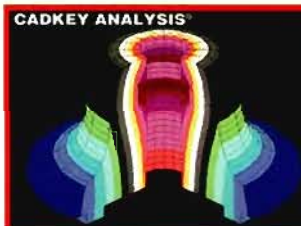


**CADKEY® 6**  
Diatek Model 9000 Infrared Clinical Thermometer Courtesy of Diatek Incorporated

## COMPUTER AIDED TECHNOLOGY INC.

Parametric Solution is available at Computer Aided Technology, Inc

Call, write or fax your order today  
VISA cards accepted



For information regarding our comprehensive training seminars, technical support, state of the art hardware and software for the pros, contact:

Computer Aided Technology, Inc.  
3100 Dundee Road Suite 202  
Northbrook, Illinois 60062-2460

Phone 708.498.9600  
Fax 708.498.9725  
B.B.S. 708.498.9726

\*Cadkey is a registered trademark of Cadkey Inc. Parametric Solution is created & copywritten by Parametric Solutions, Inc.



**CADKEY, INC.**  
**APPLICATIONS GUIDE**  
**1992-1993**

**4 GRIFFIN ROAD NORTH**  
**WINDSOR, CONNECTICUT 06095**  
**USA**  
**203 298 8888 TEL**  
**203 298 6401 FAX**

## **NOTICE TO THE READER:**

*The Third Party products listed in this publication are designed, developed and marketed by independent vendors. Cadkey, Inc. specifically disclaims any and all warranties, written or oral, express or implied, with respect to these products, including the warranties of merchantability and fitness for a particular purpose. Users are responsible for determining the suitability of the products described in this publication to fulfill their respective needs. All information is subject to change, and revisions will be reflected in subsequent issues. Products may or may not have complete compatibility with the current versions of Cadkey, Inc. products. Users should contact Third Party Vendor for specific information.*

*All Cadkey, Inc. products listed in this publication are copyrighted, trademarked or registered trademarked as noted.*

*All Third Party products may be copyrighted, trademarked or registered trademarked above and beyond what is indicated in this publication.*

*This publication may not be reproduced in any form, for any purpose, without written permission of Cadkey, Inc.*

*Cadkey, Inc. Applications Guide 1992-1993  
Copyright 1992  
This is the fifth printing of the Applications Guide*

# TABLE OF CONTENTS:

Notice to the Reader .....	2
Table of Contents .....	3
Introduction .....	7
Company Listing .....	8
<b>Cadkey, Inc. Product Listings .....</b>	<b>14</b>
<b>Manufacturing .....</b>	<b>14</b>
CADKEY® 5 .....	14
CADKEY® ANALYSIS .....	14
CADKEY® IGES Translator .....	14
CADKEY® Light .....	14
CADKEY® SURFACES .....	14
CUTTING EDGE™ .....	14
CADKEY® UX .....	14
<b>Architecture .....</b>	<b>15</b>
DataCAD® .....	15
DataCAD® 128 .....	15
DataCAD® Velocity® .....	15
<b>Third Party Product Listings .....</b>	<b>16</b>
<b>A/E/C .....</b>	<b>16</b>
Cases Templates for DataCAD® .....	16
ASCAE .....	16
TOUCHUP 3D Model hatching macro .....	16
BLOCKER Space planning macro .....	16
cadKEYNOTE VS: 3.01 .....	16
Organic CADD Presentation and Production Library .....	16
BldWall .....	16
RoofBuilder 2.5 .....	17
QBIDS Professional Estimator .....	17
SET-TEXT and SET-LINE (plotsensitive macros) .....	17
Realtime .....	17
<b>Analysis .....</b>	<b>17</b>
ROTLAT .....	17
COBRA .....	17
Mechanica - Applied Structure® .....	17
mTAB/SAP386 .....	17
<b>Bill of Materials .....</b>	<b>18</b>
DRAFT-PAK™ BILL OF MATERIALS GENERATOR 5 .....	18
<b>Books And Videos .....</b>	<b>18</b>
Graphics for Engineers with CADKEY® .....	18
PLASTIC PRODUCT DESIGN WITH CADKEY® .....	18
Using CADKEY® Light .....	18
Using CADKEY® .....	18
Mastering CADKEY® .....	18
Problems in Eng. Dwg. and Desc. Geom. Using CADKEY® .....	18
Fundamentals of CAD with CADKEY® for Eng. Graphics .....	18
CADKEY® Light: A Handbook .....	18
Engineering Graphics on the PC with CADKEY® .....	19
Learning CADKEY® (version 4 and CADKEY® Light) .....	19
The CADKEY® Light Videos .....	19
The DataCAD® Videos, Tapes 1-10 .....	19
Beginning CADKEY® Light .....	19
Beginning DataCAD® .....	19

Exploring CADKEY® (v1,v3).....	19
CADKEY® Light: CADD for Engineers and Technicians.....	19
An Introduction to CAD Using CADKEY®.....	19
DataCAD® for the Architect, Second Edition.....	19
CADKEY® Fundamentals.....	19
Computers and Accelerators.....	20
COMPAQ PORTABLE 486c.....	20
COMPAQ DESKPRO/M FAMILY.....	20
COMPAQ LTE Lite/25 and COMPAQ LTE Lite/20.....	20
The Ultra Moby Brick.....	20
RapidCAD.....	20
Coordinate Measuring.....	20
APPS.....	20
CMM to CAD INTERFACE.....	20
Metrecom Liberated CMM.....	20
Engineering Inspection Service.....	21
Design And Drafting Tools.....	21
3rd DIMENSIONS.....	21
SPEED-DRAFT & SPEED-DRAFT PLUS TABLET OVERLAY.....	21
DRAFT-PAK™ 5.....	21
Parametric Solution (PS).....	21
GEORGE.....	21
DE/CAASE.....	21
DVC Shapes.....	21
CK-Synergy.....	23
DESIGNERS' TOOLKIT.....	23
CADJET Master Template.....	23
Sections™.....	23
IMPRO.....	23
MENU-COMMANDER.....	23
SYMBOL GENERATOR BUNDLE.....	23
SECTION.....	23
Power Tools Bundle.....	24
Document Management.....	25
ACTView.....	25
CADMANDU.....	25
FindWare.....	25
DMS Pro v1.1.....	25
Fonts.....	25
Precision Fonts for CADKEY®.....	25
E-Z Fonts.....	25
GIS.....	25
Digital Maps.....	25
Graphics Cards.....	26
QVision Graphics System from Compaq.....	26
Input Devices.....	26
WIZ.....	26
3DRIVE.....	26
Kinematics.....	26
DE/MEC.....	26
Cadmoss2.....	26
MICRO-MECH.....	26
Mechanica - Applied Motion®.....	26

<b>Manufacturing</b> .....	27
DieCAM .....	27
LaserCAM .....	27
Tool Designer's Assistant .....	27
VERICUT .....	27
CAM Manager for CUTTING EDGE™ .....	27
dPACE .....	27
QUIKCAM .....	27
ACU.TOOLS+ .....	27
CAM Router with interface to CADKEY® & CUTTING EDGE™ .....	28
<b>Marine Design</b> .....	29
PROLINES .....	29
<b>Mold Analysis</b> .....	29
C-Mold .....	29
<b>Mold Making</b> .....	29
DRAFT-PAK™/MOLD 5 .....	29
CK/MOLD™ DESIGN .....	29
PC/MOLD™ CAD DATABASE .....	29
National/Dynamics Mold Design Software .....	29
MOLDBASE .....	29
MOLDFLOW/CADKEY® Link .....	30
<b>Piping</b> .....	30
Isometric Piping Components .....	30
RAMP Design Series .....	30
<b>Plotting</b> .....	30
FPLOT 3 .....	30
LONGPlot .....	30
ProTracer Monochrome Inkjet Printer/Plotter .....	30
<b>Productivity Tools</b> .....	31
ACTools' UTILITIES .....	31
ABC-Part Manager .....	31
DRAFT-PAK™ PROFESSIONAL TABLET OVERLAY 5 .....	31
LONGNAME .....	31
Anthropos .....	31
JOINT-IT .....	31
WinMaster .....	31
PC-KWIK Power Pak with Power Disk .....	32
VOLUMIX .....	32
<b>Programming</b> .....	32
CAD/CAM Developer's Kit / 3D .....	32
CAD/CAM Developer's Kit / 2D .....	32
TG-Professional v4.0 .....	33
<b>Rendering</b> .....	34
COLORKEY .....	34
Digital Artist Render Manager .....	34
ImageCELS® .....	34
<b>Scanning</b> .....	34
TRACER .....	34
DRAFTSMAN .....	34
SCANNING/CONVERSION Services for CADKEY® .....	34
CADKEY® Overlay .....	34

Sheet Metal .....	35
ProFold Flat Pattern Development .....	35
ProFab Sheet Metal CAM System .....	35
DRAFT-PAK™/DIE 5 .....	35
qSHEET .....	36
Danly/Dynamics Die Design Software.....	36
GeoPOINT™ Interactive Programming .....	36
GeoPOINT™ IV .....	36
GeoNEST™ 2.0 .....	36
GeoNEST™ Advanced.....	36
GeoFOLD™ 3.0 .....	36
TRANSPAK IV .....	36
Simulation.....	37
VSA (Variation Simulation Analysis Software) .....	37
Surfaces .....	37
FastSURF .....	37
Symbol Libraries .....	37
CADD DATA-BASE LIBRARIES.....	37
CADsymbols .....	37
Translators.....	37
The Integrator.....	37
HPGL to CADKEY® Translator.....	37
HiJaak .....	37
Viewers.....	38
ForReview .....	38
CADView.....	38
KeyView v1.1 .....	38
AutoVue .....	39
Index by Product Name .....	40
Last Minute Additions.....	44



## **INTRODUCTION:**

*Welcome to the 1992-1993 Cadkey, Inc. Applications Guide. The products listed in this publication represent the best Third Party applications software available today. The Applications Guide is used by Cadkey customers, dealers, educators and students worldwide as a resource for finding the most innovative and advanced manufacturing and architectural solutions on the market. As the products shown here are under continuing improvement, we hope that you will provide us with valuable feedback on your successes with these products as well as with news of your latest favorites.*

*You'll note many changes in the content and format of the current Applications Guide. First, there are several new Cadkey, Inc. products listed that did not appear before. These include CUTTING EDGE numerical control software and CADKEY ANALYSIS boundary element CAE software. With these new additions, Cadkey, Inc. is able to offer a unique "Concurrent Engineering" solution to today's UNIX workstation and DOS 386/486 users. One or more users can now design, analyze and machine parts from the same unified database and on the same PC or workstation network.*

*Secondly you'll note that a number of innovative developers have begun to use the newly added CDE (CADKEY Dynamic Extensions) capability for customizing CADKEY and CUTTING EDGE. CDE's allow full integration of applications within CADKEY and CUTTING EDGE by permitting developers' code to be "run-time-linked". What this means for the user is more speed, complete transparency of menus and functions, and a richer set of available solutions.*

*Finally you'll find that the format of the Applications Guide is easier to read, with a complete company listing in the beginning, and product listings showing both a description of the product and a phone number for easy access to each vendor.*

*We trust you'll find the 1992-1993 Applications Guide of great value, and look forward to hearing from you with ideas for the next guide.*

*Best Regards,*

*Cadkey, Inc.  
The Third Party Programs and Strategic Partners Team  
July 15th, 1992*

## COMPANY LISTING:

AC TECHNOLOGY  
Decimal Point Corporate Center  
11492 Bluegrass Parkway  
Suite 125  
Louisville KY 40299  
USA  
Tel: 502 266 6727  
Fax: 502 266 6654  
Mold Analysis  
Peter Medina

ACTION CAD/CAM, INC.  
968 Kenmore Avenue  
Buffalo NY 14216  
USA  
Tel: 716 875 4336  
Fax: 716 875 3847  
Manufacturing  
Steven B. Greenberg

ADDISON-WESLEY  
PUBLISHING COMPANY  
Jacob Way  
Reading MA 01867  
USA  
Tel: 617 944 3700  
Books And Videos  
James H. Earle

ADVANCED TECHNOLOGY  
CENTER - ATC  
22982 Mill Creek Drive  
Laguna Hills CA 92653  
USA  
Tel: 714 583 9119  
Fax: 714 583 9213  
Viewers  
Murray Gilham

ALDEN COMPUTER SYSTEMS, INC.  
15 Summer Street  
Salem MA 01970  
USA  
Tel: 508 744 1314  
Coordinate Measuring  
Bob Whitten

ALLAN CAD TOOLS  
6450 S.E. Aldercrest Court  
Milwaukee OR 97267  
USA  
Tel: 503 659 9935  
Fax: 503 659 9935  
Design And Drafting Tools  
Document Management  
Productivity Tools  
Jon Allan

ALTON BORING  
30950a Industrial Road  
Livonia MI 48150  
USA  
Tel: 313 522 9595  
Fax: 313 522 1655  
Productivity Tools  
Alton Cowen/ Harold Wylie

APPLICAD, INC.  
11956 Laurentien Boht  
Suite 300  
Montreal PQ H4K1M7  
CANADA  
Tel: 514 335 4145  
Fax: 514 336 7689  
Design And Drafting Tools  
Rendering  
Walid Hadid

APPLIED COMPUTER  
SOLUTIONS, INC.  
300 Maple Park Boulevard  
St Clair Shores MI 48080  
USA  
Tel: 313 774 2640  
Fax: 313 778 6470  
Simulation  
Sue Price

APPLIED PRODUCTION, INC.  
200 Technecenter Drive  
Suite 202  
Milford OH 45150  
USA  
Tel: 513 831 8800  
Fax: 513 831 1236  
Sheet Metal  
Joe Bucalo

ARBOR IMAGE CORP.  
230 Collingwood  
Suite 250  
Ann Arbor MI 48103  
USA  
Tel: 313 741 8700  
Fax: 313 741 8806  
Scanning  
Thomas Gray

ARCDRAFT AMERICA  
2826 College Street  
Jacksonville FL 32205  
USA  
Tel: 800 447 4165  
Fonts  
Tim Hamlett

ARCHITECTURAL CAD OF  
COLORADO  
7170 West 6th Place  
Lakewood CO 80215  
USA  
Tel: 303 237 7812  
Fax: 303 233 7106  
A/E/C  
William L. Coppock - AIA

BARATEK, INC.  
1550 North Nw Highway  
Suite 200  
Park Ridge IL 60068  
USA  
Tel: 800 223 6638  
Fax: 708 803 6375  
Document Management  
Karen Schmitz

BAYSTATE TECHNOLOGIES  
170 Goddard Memorial Drive  
Worcester MA 01603  
USA  
Tel: 508 755 1172  
Fax: 508 795 1301  
Bill of Materials  
Design And Drafting Tools  
Mold Making Sheet Metal  
Productivity Tools  
Lizabeth Rombek

BUILDING BLOCK SOFTWARE  
371 Moody Street  
Waltham MA 02154  
USA  
Tel: 617 899 4350  
Fax: 617 899 4350  
Programming  
Mark Rubin

C-TAD  
Atrium Office Center  
900 Victors Way  
Ann Arbor MI 48108  
USA  
Tel: 313 665 3287  
Fax: 313 665 9736  
Translators  
Christine A. Rawski

CAD TECHNOLOGY CORP.  
P.O. Box 034089  
Indialantic FL 32903  
USA  
Tel: 407 773 5142  
Fax: 407 777 7644  
Symbol Libraries  
John Boertjens

CAD/IMA ADVANCED CAD/CAM  
SYSTEMS INC  
7 Mount Lassen Drive  
Suite C250  
San Rafael CA 94903  
USA  
Tel: 415 492 0401  
Fax: 415 492 0926  
A/E/C  
James F. Waltz

CADKEY, INC.  
4 Griffin Road North  
Windsor CT 06095  
USA  
Tel: 203 298 8888  
Fax: 203 298 6401  
Telesales

CADPRO CHICAGO, INC.  
2525 E. Oakton  
Suite C-33  
Arlington Heights IL 60005  
USA  
Tel: 708 640 1853  
Fax: 708 640 1868  
Design And Drafting Tools  
Bob Konczal

CALCOMP  
14555 N. 82nd Street  
Scottsdale AZ 85260  
USA  
Tel: 800 458 5888  
Fax: 602 948 6540  
Input Devices  
Dan Lundberg

CARL ZEISS, INC.  
7008 Northland Drive  
Minneapolis MN 55428  
USA  
Tel: 612 533 0225  
Fax: 612 533 4903  
Coordinate Measuring  
Sales Department

CARR LANE MANUFACTURING  
CAD/CAM SERVICES DIV.  
4200 Carr Lane Court  
St. Louis MO 63119  
USA  
Tel: 314 647 6200  
Fax: 314 647 5736  
Manufacturing  
Roy Duperret

CGTECH  
15375 Barranca Parkway  
Building L  
Irvine CA 92718  
USA  
Tel: 714 753 1050  
Fax: 714 753 1053  
Manufacturing  
Jon Prun

CIMMETRY SYSTEMS  
1430 Massachusetts Avenue  
Suite 306  
Cambridge MA 02138  
USA  
Tel: 514 735 3219  
Fax: 514 735 6440  
Viewers  
Yacine Rahmouni

COMPAQ COMPUTER  
CORPORATION  
20555 SH 249  
Houston TX 77070  
USA  
Tel: 713 370 0670  
Computers  
Graphics Cards  
Customer Support

COMPUTER-AIDED  
PRODUCTS, INC.  
P.O. Box 269  
2 Catherine Lane  
Marblehead MA 01945  
USA  
Tel: 617 631 9662  
Fax: 617 631 5324  
Books And Videos  
Dana Seero

CONSULTING SERVICES  
INTERNATIONAL  
14621 Titus St.  
Van Nuys CA 91402  
USA  
Tel: 818 994 8881  
Sheet Metal  
Robert M. Messamer

CORPORATE NETWORK  
SERVICES  
1 Royal River Center  
P.O. Box 9065  
Yarmouth ME 04096  
USA  
Tel: 207 846 0772  
Fax: 207 846 0828  
A/E/C  
Bill D'Amico

D & L INCORPORATED  
1000 Rand Road  
Unit 104b  
Wauconda IL 60084  
USA  
Tel: 708 487 1000  
Fax: 708 487 1003  
Mold Making  
Glenn Starkey

DELMAR PUBLISHERS, INC.  
2 Computer Drive, West  
Box 15015  
Albany NY 12212  
USA  
Tel: 518 459 1150  
Fax: 518 459 3552  
Books And Videos  
Dr. Paul Resetarits

DENCO, INC.  
2808 Dean Drive  
Wilmington DE 19808  
USA  
Tel: 302 998 3662  
Fax: 302 798 1607  
Design And Drafting Tools  
John B. Shaposka

DESKTOP ENGINEERING  
1200 Macarthur Blvd  
Mahwah NJ 07430  
USA  
Tel: 201 818 9700  
Fax: 201 818 9707  
Design And Drafting Tools  
Kinematics  
Dan Schiavello

DIGITAL ARTS  
4531 Empire Avenue  
Suite 229  
Burbank CA 91505  
USA  
Tel: 818 972 2112  
Fax: 818 972 2115  
Rendering  
Julia S. Kim

DISK SOFTWARE  
2116 East Arapaho  
Suite 487  
Richardson TX 75081  
USA  
Tel: 214 423 7288  
Fax: 214 423 7288  
Programming  
Paul Scheibe, Jr.

DVC PLANNERS  
33815 Andy Way  
Winchester CA 92596  
USA  
Tel: 714 926 1219  
Design And Drafting Tools  
David Coultas

DYNAMIC ENHANCEMENTS  
P.O. Box 211  
Bankstown 2200  
NSW, AUSTRALIA  
Tel: 011 61 2 829 3275  
Fax: 011 61 2 790 6068  
Manufacturing  
Len Riseley

ENGINEERING DYNAMICS  
1169 Tower Road  
Schaumburg IL 60173  
USA  
Tel: 708 885 3636  
Fax: 708 885 4383  
Sheet Metal  
Mold Making  
Mickey Kallas

ERGO COMPUTING, INC.  
1 Intercontinental Way  
Peabody MA 01960  
USA  
Tel: 508 535 7510  
Fax: 508 535 7512  
Computers  
Tom Spaulding

FARO TECHNOLOGIES, INC.  
125 Technology Park Drive  
Lake Mary FL 32746  
USA  
Tel: 407 333 9911  
Fax: 407 333 4181  
Coordinate Measuring  
Gregory Fraser

FASTSURF  
1107 East Lincoln  
Suite 101  
Orange CA 92665  
USA  
Tel: 714 282 8093  
Fax: 714 282 8094  
Surfaces  
Robert White

FPLOT CORPORATION  
24-16 Steinway Street  
Suite 605  
Astoria NY 11103  
USA  
Tel: 718 545 3505  
Fax: 718 545 3505  
Plotting  
Frank Abramopoulos

GERI ENGINEERING  
655 Skyway  
Suite 130  
San Carlos CA 94070  
USA  
Tel: 415 594 0102  
Fax: 415 594 0248  
Productivity Tools  
Don W. Geri

GLENCOE DIV.  
Macmillan/Mcgraw-Hill  
3008 West Willow Knolls Dr.  
Peoria IL 61614  
USA  
Tel: 800 334 7344  
Fax: 314 256 2169  
Books And Videos  
Customer Service

GRAPHICS UNLIMITED  
3050 Shallowford Road  
Suite 150  
Atlanta GA 30341  
USA  
Tel: 404 452 8797  
Piping  
Mike Williford

HANSEN DESIGN COMPANY  
4901 125th Avenue S.E.  
Bellevue WA 98006  
USA  
Tel: 206 885 8762  
Design And Drafting Tools  
Scott Hansen

HLB TECHNOLOGY  
P.O. Box 527  
Blue Ridge VA 24064  
USA  
Tel: 703 977 6520  
Fax: 703 977 6531  
Design And Drafting Tools  
Fonts  
Harold L. Bowers

I.S.T. GMBH  
C/o Advanced Graphic Software  
GmbH  
Mollenbach Strasse 37  
Leonberg D-7250  
GERMANY  
Tel: 49 6245 1795  
Fax: 49 6245 6431  
Kinematics  
Productivity Tools  
Oskar Gier

IMAGETECTS, INC  
7200 Bollinger Road  
Suite 802  
San Jose CA 95129  
USA  
Tel: 408 252 5487  
Rendering  
Alan J. Reed

IMAGINEERING CADD  
SERIVCES  
28 Augusta Court  
Thornhill ON L3T7K7  
CANADA  
Tel: 416 771 9236  
Fax: 416 787 2547  
Design And Drafting Tools  
Jack Allen

IMPELLER PUMPS, INC.  
364 Tolland Turnpike (rt.74)  
Willington CT 06279  
USA  
Tel: 203 429 0780  
Fax: 203 429 6712  
Design And Drafting Tools  
Richard P. Sarachek

INNOVATIVE DESIGN  
CONSULTANTS  
354 East Broad Street  
Trumbauersville PA 18970  
USA  
Tel: 215 538 9613  
Fax: 215 538 2519  
Design And Drafting Tools  
Jim Sides/ Tom Lyons

INNOVATIVE DESIGN  
SYSTEMS  
100 East Shenango Street  
Sharpsville PA 16150  
USA  
Tel: 412 962 1860  
Fax: 412 962 1719  
Plotting  
Alan Warren

INSET SYSTEMS, INC.  
71 Commerce Drive  
Brookfield CT 06804  
USA  
Tel: 203 740 2400  
Fax: 203 775 5634  
Translators  
Daryl Squires, Sls.Mgr.

INTEGRATED SYSTEMS  
P.O. Box 10406  
Raleigh NC 27605  
USA  
Tel: 919 755 0117  
Fax: 919 839 2307  
A/E/C  
David Ward Jones

INTEL CORP  
Robert Noyce Building  
2200 Mission College Blvd.  
Santa Clara CA 95052  
USA  
Tel: 800 538 3373 X90  
Fax: 800 458 6231  
Computers  
Customer Service

INTER CAD  
Rua Da Cedofelta, 307  
1st Tr.  
Porto 4000  
Portugal  
Tel: 02 2009979  
Fax: 02 200 9976  
Mold Making  
Viera Da Silva

J.V. POPLAWSKI &  
ASSOCIATES  
1480 Valley Center Parkway  
Bethlehem PA 18017  
USA  
Tel: 215 758 7508  
Fax: 215 758 7501  
Analysis  
Victor Obeid

JES ENGINEERING  
7935 Calle Posada  
Carlsbad CA 92009  
USA  
Tel: 619 436 5510  
Design And Drafting Tools  
James Spencer

KERN INTERNATIONAL, INC.  
190 Duck Hill Road  
Duxbury MA 02332  
USA  
Tel: 617 934 2452  
Books And Videos  
Robert L. Ritter

MACMILLAN PUBLISHING  
COMPANY  
College Division  
866 Third Avenue  
NY NY 10022  
USA  
Tel: 212 702 2000  
Books And Videos  
Larry D. Goss  
Clifford E. Horton

MACOLA, INC.  
333 East Center Street  
Marion OH 43302  
USA  
Tel: 614 382 5999  
Fax: 614 382 0239  
Piping  
Don Knaur

MCGRAW-HILL PUBLISHING  
COMPANY  
College Division  
1221 Avenue of the Americas  
NY NY 10020  
USA  
Tel: 800 338 3987  
Books And Videos  
Dr. Edward V. Mochel  
Richard G. McGinnis

MECHTECH SOLUTIONS  
631 Harriet Ave  
Shore View MN 55126  
USA  
Tel: 612 483 0649  
Fax: 612 483 3978  
Kinematics  
John W. Barnes

MICRO MAP & CAD  
9642 W. Virginia Circle  
Lakewood CO 80226  
USA  
Tel: 303 988 4940  
Fax: 303 988 4940  
GIS  
Randy George

MICROCOMPUTER  
EDUCATION SYSTEMS  
4900 Blazer Parkway  
Dublin OH 43017  
USA  
Tel: 614 793 3069  
Fax: 614 766 3605  
Books And Videos  
Dr. Leonard O. Nasman

MSR, INC.  
1386 Manotick Station Road  
Ottawa ON K4M1B2  
CANADA  
Tel: 613 821 3632  
Fax: 613 821 3054  
Manufacturing  
Alice Bunt

MTC LTD.  
Bewley Building  
Suite 342  
Lockport NY 14094  
USA  
Tel: 716 433 7722  
Fax: 716 433 1554  
Manufacturing  
Fred Ego

MULTICAD/TORMA  
Elnok Utca 1  
Budapest, VIII  
HUNGARY  
Tel: 011 361 113 8217  
Fax: 011 361 113 9537  
Productivity Tools  
Miklos Radai

NEO GRAPHIX  
Rt. 660  
Box 347  
Earlsville VA 22936  
USA  
Tel: 804 972 7090  
Fax: 804 296 8720  
A/E/C  
H. Frederick Oesch

OLMSTED ENGINEERING CO.  
2320 Aero Park Court  
Traverse City MI 49684  
USA  
Tel: 616 946 3174  
Fax: 616 946 7080  
Manufacturing  
Gary T. Wittbrodt

PACIFIC DATA PRODUCTS  
9125 Rehco Road  
San Diego CA 92121  
USA  
Tel: 619 597 3361  
Fax: 619 552 0889  
Plotting  
Christa Federico

PARADESIGN  
14235 Classique Way  
San Diego CA 92129  
USA  
Tel: 619 484 8386  
Fax: 619 484 8386  
Design And Drafting Tools  
Fred Bacher

PARAGRAPHICS  
354 Main Street  
Suite 801  
Newington CT 06111  
USA  
Tel: 203 665 7119  
Fax: 203 667 2323  
Symbol Libraries  
Doug Billings

PC-KWIK CORPORATION  
15100 Southwest Koll Parkway  
Beaverton OR 97006  
USA  
Tel: 503 644 5644  
Fax: 503 646 8267  
Productivity Tools  
Ellen Stewart

PEOPLE SOFTWARE  
2746 Barrett Pass Road  
Pollock Pines CA 95726  
USA  
Tel: 916 644 8841  
A/E/C  
Erik Zetterberg

POLHEMUS  
1 Hercules Drive  
P.O. Box 560  
Colchester VT 05446  
USA  
Tel: 802 655 3159 X 238  
Fax: 802 655 1439  
Input Devices  
Tom Jones

PRC ENGINEERING SYSTEMS  
Document Conversion Services  
4343 Commerce Ct., Ste 215  
Lisle IL 60532  
USA  
Tel: 708 955 1515  
Fax: 708 955 1520  
Scanning  
Randall K. Moon

PRECISION MEASUREMENT  
LABS  
201 West Beach Ave.  
Inglewood CA 90302  
USA  
Tel: 310 671 4345  
Fax: 310 671 0858  
Coordinate Measuring  
David Tolin

PRENTICE HALL  
200 Old Tappen Road  
Old Tappen NJ 07675  
USA  
Tel: 800 223 1360  
Fax: 800 445 6991  
Books And Videos  
David C. Reichard  
Jon M. Duff

PWS-KENT PUBLISHING  
COMPANY  
20 Park Plaza  
Boston MA 02116  
USA  
Tel: 617 542 3377  
Fax: 617 338 6134  
Books And Videos  
Hugh F. Keedy

QUADRIC SOFTWARE, USA  
2200 North Lamar  
Suite 206  
Dallas TX 75202  
USA  
Tel: 214 720 0745  
Fax: 214 880 7526  
A/E/C  
David Demarest

RASNA  
2590 N First St  
Suite 200  
San Jose CA 95131  
USA  
Tel: 408 922 6833  
Fax: 408 922 7256  
Analysis  
Kinematics  
J.B. Kuppe

SAYLORS SOFTWAREFIRST  
6532 Edenvale Blvd  
Eden Prairie MN 55348  
USA  
Tel: 612 934 7451  
Fax: 612 934 7517  
Sheet Metal  
Judd Roby

SETS, LTD.  
114 Commonwealth Avenue  
Boston MA 02116  
USA  
Tel: 617 267 6980  
A/E/C  
Rick Gleason

SOFTWARE VENTURES, INC.  
4341 S Westnedge Ave #1100  
Kalamazoo MI 49008  
USA  
Tel: 616 344 0708  
Fax: 616 381 2965  
Document Management  
Mold Making  
Scanning  
Frank Lucatelli

SOLUSOFT DATA GROUP,  
INC.  
Box 8217  
1432 West Ocean View Ave.  
Norfolk VA 23503  
USA  
Tel: 804 587 4771  
Fax: 804 588 0026  
Sheet Metal  
Mike Allred

STEREOCAD, INC.  
655 South Fair Oaks Ave.  
Suite A117  
Sunnyvale CA 94086  
USA  
Tel: 408 245 5201  
Fax: 408 245 5202  
A/E/C  
David Kohls

STRUCTURAL ANALYSIS, INC.  
3355 Bee Caves Road  
Suite 501  
Austin TX 78746  
USA  
Tel: 512 328 8198  
Fax: 512 328 2654  
Analysis  
Ted Peacock

TAB BOOKS  
Blue Ridge Summit PA 17294  
USA  
Tel: 717 794 2191  
Books And Videos  
Carol Buehrens

TAILOR MADE SOFTWARE  
28006 122nd Place SE  
Kent WA 98031  
USA  
Tel: 206 631 1513  
Translators  
Scott Taylor

TECHNO/ISEL U.S.A. DIVISION  
2101 Jericho Turnpike  
New Hyde Park NY 11042  
USA  
Tel: 516 328 3300 X370  
Fax: 516 328 8827  
Manufacturing  
Herb Arum

TOP LOG  
Les Rives de Bagatelle  
Quai Gallieni  
7, allée de l'Ancien Pont  
Suresnes 92150  
FRANCE  
Tel: 011 33 1 420 42118  
Fax: 011 33 1 477 29183  
Design And Drafting Tools  
Productivity Tools  
Yves Pitou

UNITEC  
30 Inwood Road  
Rocky Hill CT 06067  
USA  
Tel: 203 529 2443  
Fax: 203 563 9220  
Viewers  
Marty Loschiavo

VACANTI  
17226 163 Place Southeast  
Renton WA 98058  
USA  
Tel: 206 277 0288  
Fax: 206 235 8368  
Marine Design  
David Vacanti

VAN DER ROEST GROUP, INC.  
1535 E. 17th St.  
Santa Ana CA 92701  
USA  
Tel: 714 542 2201  
Fax: 714 543 4931  
Document Management  
Viewers  
Martin van der Roest

VISUAL EDUCATION  
ASSOCIATES  
2218 North Canyon Rd.  
Provo UT 84604  
USA  
Tel: 801 373 4616  
Books And Videos  
Gerald Hatch

# CADKEY, INC. PRODUCT LISTINGS:

## MECHANICAL DESIGN / MANUFACTURING

---

### **CADKEY® 5**

*CADKEY 5 is a fully integrated 2-D and 3-D design system which includes wire-frame and solid-modeling capabilities, and which complies with ANSI, ISO, BSO and DIN standards. CADKEY SOLIDS is included with CADKEY 5.*

CADKEY, INC. ☎ 203 298 8888

Works on DOS, DEC, SGI, SUN, Other. Lists for: contact Cadkey, Inc.

### **CADKEY® ANALYSIS**

*CADKEY ANALYSIS is a heat-transfer, stress/strain, and thermal analysis system, based on the powerful and fast boundary element method. It easily handles 2-D, 3-D and axisymmetric models.*

CADKEY, INC. ☎ 203 298 8888

Links with CADKEY via CDE. Works on DOS, Other. Lists for: contact Cadkey, Inc.

### **CADKEY® IGES Translator**

*CADKEY IGES Translator is a bi-directional CAD-data translator between CADKEY's part-file format and the neutral format of the Initial Graphics Exchange Standard to allow data exchange among all major CAD programs.*

CADKEY, INC. ☎ 203 298 8888

Links with CADKEY, CUTTING EDGE via part file. Works on DOS, DEC, SGI, SUN, Other. Lists for: call Cadkey, Inc.

### **CADKEY® Light**

*CADKEY Light is a version of CADKEY 5 designed specifically to initiate people into the use of CAD to automate drafting and design, without sophisticated design-engineering functionality. Now includes bi-directional data export format translator.*

CADKEY, INC. ☎ 203 298 8888

Works on DOS. Lists for: call Cadkey, Inc.

### **CADKEY® SURFACES**

*CADKEY SURFACES is a full-featured surfacing module that operates inside CADKEY to create and edit surfaces. Capabilities include: creation of ruled, projected and swept surfaces; surface offsets and intersections; fixed and variable radius fillets, as well as surface shading and editing.*

CADKEY, INC. ☎ 203 298 8888

Links with CADKEY, CUTTING EDGE via CDE. Works on DOS, DEC, SGI, SUN, Other. Lists for: call Cadkey, Inc.

### **CUTTING EDGE™**

*CUTTING EDGE is a powerful 3-axis machining system which shares the same database as CADKEY 5. It allows flexible input of CAD geometry, and flexible post processing of both simple and complex tool paths.*

CADKEY, INC. ☎ 203 298 8888

Works on DOS, Other. Lists for: contact Cadkey, Inc.

### **CADKEY® UX**

*CADKEY UX is the UNIX implementation of CADKEY 5.*

CADKEY, INC. ☎ 203 298 8888

Works on DEC, SGI, SUN, Other. Lists for: contact Cadkey, Inc.



# CADKEY, INC. PRODUCT LISTINGS:

## ARCHITECTURE

---

### **DataCAD®**

*DataCAD is a fully integrated 2-D and 3-D design and solid-modeling system specifically created for architectural and construction engineering, with automatic and associative dimensioning, an intelligent wall design system, as well as powerful symbol management capabilities.*

CADKEY, INC. ☎ 203 298 8888

Works on DOS. Lists for: contact Cadkey, Inc.

### **DataCAD® 128**

*DataCAD 128 is a fully functional version of DataCAD designed specifically to initiate people into the use of CAD to automate drafting and design. Drawing files are limited to 128K.*

CADKEY, INC. ☎ 203 298 8888

Works on DOS. Lists for: call Cadkey, Inc.

### **DataCAD® Velocity®**

*DataCAD Velocity is a high-resolution, photo realistic, three-dimensional, solid-rendering system that allows the user to assign real-world material, shading, and light-source attributes to 3-D wire-frame drawings created in DataCAD's DC Modeler.*

CADKEY, INC. ☎ 203 298 8888

Links with DataCAD. Works on DOS. Lists for: call Cadkey, Inc.

## THIRD PARTY PRODUCT LISTINGS:

(Listed alphabetically by company name)

A/E/C

---

### **Cases Templates for DataCAD®**

3D symbols for cabinets, with related appliances, plumbing fixtures and accessories. 444 symbols for creating layouts for kitchens, bathrooms and other architectural uses. Creates perspectives and elevations. Works with Velocity.  
ARCHITECTURAL CAD OF COLORADO ☎ 303 237-7812  
Links with DataCAD via Macros. Works on DOS. Lists for: \$375 (US)

### **ASCAE**

ASCAE is a mechanical computer-aided engineering program consisting of an excellent modeler, a fast mesher, and a sophisticated analysis (solver) program.  
CADIMA ADVANCED CAD/CAM SYSTEMS INC ☎ 415 492-0401  
Links with DataCAD via DCAL. Works on DOS, SGI, Other. Lists for: \$6995 to \$11995

### **TOUCHUP 3D Model hatching macro**

3-Dimension hatching macro for DataCAD. Places hatch patterns as 3-D Lines directly on 3-D model surfaces. Works with all DataCAD hatch patterns including user-defined. Easy point-and-shoot operation from any viewpoint.  
CORPORATE NETWORK SERVICES ☎ 207 846-0772  
Links with DataCAD via DCAL. Works on DOS. Lists for: \$195

### **BLOCKER Space planning macro**

Space diagramming and reporting inside DataCAD. User can easily diagram single-line, intelligent 'associative rooms' that automatically display and report name, area, and dimension information. Rooms can be numbered and converted to walls automatically.  
CORPORATE NETWORK SERVICES ☎ 207 846-0772  
Links with DataCAD via DCAL. Works on DOS. Lists for: \$95

### **cadKEYNOTE VS: 3.01**

Place and update keynotes adjacent to a graphic; search and sort keynotes to automatically generate a legend. Automatically search a Master Specifications Library and copy sections into a directory for editing. (BBS 919 556-6173)  
INTEGRATED SYSTEMS ☎ 919 781-1300  
Links with DataCAD via DCAL. Works on DOS. Lists for: \$399.95 (1-4 stations)

### **Organic CADD Presentation and Production Library**

High quality rendering and construction document templates for use from schematic design through working drawings. Modules include: Sampler, interior, exterior, landscape, people, 3D fill patterns, plan, elevation, section, schedules, and sports fields. Special discounts to users' groups and educational institutions.  
NEO GRAPHIX ☎ 804 973 0580  
Links with DataCAD via DCAL. Works on DOS. Lists for: \$150 per module

### **BldWall**

A 3D wall macro integrated through RoofBuilder2 to trim 3D walls extending from a smart slab below to a smart slab above. Walls are entered in 2D, and 3D wall slabs trim automatically to their extent. Requires RoofBuilder2 to run. (See RoofBuilder 2.5)  
PEOPLE SOFTWARE ☎ 800 647-DEMO  
Links with DataCAD via Other. Works on DOS. Lists for: \$39

### **RoofBuilder 2.5**

A 3D modeling macro for both complicated & simple roof systems. Trace over roof boundaries in 2D mode and RB2.5 lifts up 3D smart slabs which can later be edited or used with BidWall. (See BidWall above)

PEOPLE SOFTWARE ☎ 800 647-DEMO  
Links with DataCAD via DCAL. Works on DOS. Lists for: \$89

### **QBIDS Professional Estimator**

CAD-linked estimating and database management software for the A/E/C industry. Prepare accurate cost estimates and detailed specifications from your DataCAD drawings.

QUADRIC SOFTWARE, USA ☎ 214 720-0745  
Links with DataCAD via DCAL. Works on DOS. Lists for: \$2995

### **SET-TEXT and SET-LINE (plotsensitive macros)**

Predefine parameters for Linetypes and Text. (plotsensitivity, active layer, autoreturn) MultiLine: Predefine & draw 12 unique parameters & baseline offsets. Mitering. Mimic: Select entities with certain parameters (MASK) & change to match another entity's linetype (MIMIC).

SETS, LTD. ☎ 617 267-0980  
Links with DataCAD via DCAL. Works on DOS. Lists for: \$99

### **Realtime**

Realtime is the first affordable Virtual Reality product for the PC. With Realtime you can 'walk-through' architectural models or manipulate mechanical designs at multiple frames per second. Instant animation, sophisticated lighting and shading, interactive control of speed, lens, lights...

STEREOCAD, INC. ☎ 408 245 5201  
Links with CADKEY, DataCAD via Other. Works on DOS. Lists for: \$199 - \$1500

---

## **ANALYSIS**

### **ROTLAT**

Performs Modal, Stability, Unbalance, Synchronous Response and Non-Synchronous Time Transient Response of Rotating Machinery. Predicts frequencies, mode shapes, orbit, bearing forces, vibration amplitude, etc.

J.V. POPLAWSKI & ASSOCIATES ☎ 215 825-7370  
Links with CADKEY via CADL, Other. Works on DOS. Lists for: depend on module

### **COBRA**

Design/Analysis of shaft-bearing systems for Ball, Roller, Tapered and Spherical Bearings under radial, thrust and moment, Load with Preload, Misalignment and Clearance, Predicts, Life, Stresses, Stiffness, etc.

J.V. POPLAWSKI & ASSOCIATES ☎ 215 758-7508  
Links with CADKEY via CADL, Other. Works on DOS. Lists for: \$550 to \$1000

### **Mechanica - Applied Structure®**

A structural analysis tool for mechanical engineers based on leading-edge Geometric Element Analysis (GEA) technology which eliminates cumbersome finite element meshing. Applied Structure also incorporates fully automated sensitivity analysis and geometric shape optimization...

RASNA ☎ 408 922-6833  
Links with CADKEY via CADL, IGES, Other. Works on DOS, DEC, SGI, SUN. Lists for: contact vendor

### **mTAB/SAP386**

Time proven (since 1984) finite element modeling and analysis utilizing CADKEY 3D geometry data. Very large model capacity with FEA interfaces to: NASTRAN, ANSYS, STARDYNE and our own SAP386.

STRUCTURAL ANALYSIS, INC. ☎ 512 328-8198  
Links with CADKEY via CADL. Works on DOS. Lists for: \$1500

## BILL OF MATERIALS

---

### **DRAFT-PAK™ BILL OF MATERIALS GENERATOR 5**

*Automatically extracts data from CADKEY part files using group table data. Links directly to user-defined compatible database. Standard output formats produce notes on your partfile. Automatic ballooning, definable templates, and more! \*\*Price includes first year of maintenance. UNIX price TBD.*

BAYSTATE TECHNOLOGIES ☎ 508 755-1172

Links with CADKEY via CDE, Other. Works on DOS, SGI, SUN. Lists for: \$595 and up \*\*

---

## BOOKS AND VIDEOS

### **Graphics for Engineers with CADKEY®**

*Complete examination of CADKEY 3.5. ISBN 0-201-53059-9*

ADDISON-WESLEY PUBLISHING COMPANY ☎ 617 944-3700

Links with CADKEY via N/A. Works on N/A. Lists for: contact bookstore

### **PLASTIC PRODUCT DESIGN WITH CADKEY®**

*Instructional video explaining how to use CADKEY's powerful 3-D features for plastic product design. Includes techniques for construction of wall thickness; drafted walls; and drafted filleted corners. Includes hints for analyzing volume and projected area.*

COMPUTER-AIDED PRODUCTS, INC. ☎ 617 631-9662

Links with CADKEY via Other. Works on DOS, DEC, SGI, SUN. Lists for: \$50 to \$95

### **Using CADKEY® Light**

*Co-authored by Dr. Gary R. Bertoline, this book provides a clear, well organized approach to CADKEY Light. ISBN 0-8273-4735-9*

DELMAR PUBLISHERS, INC. ☎ 518 459-1150

Links with CADKEY via N/A. Works on N/A. Lists for: contact bookstore

### **Using CADKEY®**

*Co-authored by Dr. Gary Bertoline, this is one of the original and best texts on CADKEY. Updated to the latest version, with example disks.*

DELMAR PUBLISHERS, INC. ☎ 518 459-1150

Links with CADKEY via N/A. Works on N/A. Lists for: contact bookstore

### **Mastering CADKEY®**

*MASTERING CADKEY uses a step-by-step approach to cover all versions of CADKEY up to Version 5. Each unit has hints and notes, as well as a review section that includes questions and activities. A work disk is included.*

GLENCOE DIV. ☎ 800 334-7344

Links with CADKEY via Other. Works on N/A. Lists for: contact vendor

### **Problems in Eng. Dwg. and Desc. Geom. Using CADKEY®**

*A CAD-oriented approach to engineering drawing and descriptive geometry. ISBN 1-55948-002-5*

KERN INTERNATIONAL, INC. ☎ 617 934-2452

Links with CADKEY via N/A. Works on N/A. Lists for: contact bookstore

### **Fundamentals of CAD with CADKEY® for Eng. Graphics**

*An excellent text for use with CADKEY 3.*

MACMILLAN PUBLISHING COMPANY ☎ 212 702-2000

Links with CADKEY via N/A. Works on N/A. Lists for: contact bookstore

### **CADKEY® Light: A Handbook**

*The latest book on CADKEY Light.*

MACMILLAN PUBLISHING COMPANY ☎ 212 702-2000

Links with CADKEY Light via N/A. Works on N/A. Lists for: contact bookstore

### **Engineering Graphics on the PC with CADKEY®**

*Textbook with exercises on disk included. ISBN 0-07-042649-X*  
MCGRAW-HILL PUBLISHING COMPANY ☎ 800 338 3987  
Links with CADKEY via N/A. Works on N/A. Lists for: contact bookstore

### **Learning CADKEY® (version 4 and CADKEY® Light)**

*A great text covering the key aspects of CADKEY 4 and CADKEY Light. ISBN 0-07-044791-8*  
MCGRAW-HILL PUBLISHING COMPANY ☎ 800 338 3987  
Links with CADKEY via N/A. Works on N/A. Lists for: contact bookstore

### **The CADKEY® Light Videos**

*A series of video tapes that use a learning-by-example approach to using CADKEY Light. Tapes A and B, plus an overview tape are currently available.*  
MICROCOMPUTER EDUCATION SYSTEMS ☎ 614 793-3069  
Links with CADKEY Light via N/A. Works on N/A. Lists for: contact publisher

### **The DataCAD® Videos, Tapes 1-10**

*A series of video tapes that use a learning-by-example approach to using DataCAD. Tape 1 provides an overview of DataCAD, while tapes 2-10 cover specific, useful examples.*  
MICROCOMPUTER EDUCATION SYSTEMS ☎ 614 793-3069  
Links with DataCAD via N/A. Works on N/A. Lists for: contact publisher

### **Beginning CADKEY® Light**

*A graduated set of drawing projects that ease the user into learning CADKEY Light by example.*  
MICROCOMPUTER EDUCATION SYSTEMS ☎ 614 793-3069  
Links with N/A. Works on N/A. Lists for: contact bookstore

### **Beginning DataCAD®**

*A graduated set of drawing projects that ease the user into learning DataCAD by example.*  
MICROCOMPUTER EDUCATION SYSTEMS ☎ 614 793-3069  
Links with DataCAD via N/A. Works on N/A. Lists for: contact bookstore

### **Exploring CADKEY® (v1,v3)**

*Two of the original texts on CADKEY, covering CADKEY version 1 and CADKEY version 3. ISBN 0-13-296377-9, 0-13-296195-4, 0-13-296112-1*  
PRENTICE HALL ☎ 800 223-1360  
Links with CADKEY via N/A. Works on N/A. Lists for: contact bookstore

### **CADKEY® Light: CADD for Engineers and Technicians**

*A detailed approach to computer aided design and drafting with CADKEY Light. ISBN 0-13-117748-6*  
PRENTICE HALL ☎ 800 223-1360  
Links with CADKEY Light via N/A. Works on N/A. Lists for: contact bookstore

### **An Introduction to CAD Using CADKEY®**

*An excellent text covering CADKEY and CADKEY Light. ISBN 0-534-92564-2*  
PWS-KENT PUBLISHING COMPANY ☎ 617 542 3377  
Links with CADKEY via N/A. Works on N/A. Lists for: contact bookstore

### **DataCAD® for the Architect, Second Edition**

*One of the original and best books about using DataCAD.*  
TAB BOOKS ☎ 717 794-2191  
Links with DataCAD via N/A. Works on N/A. Lists for: contact bookstore

### **CADKEY® Fundamentals**

*Video tape introduction to CADKEY design principles.*  
VISUAL EDUCATION ASSOCIATES ☎ 801 373 4616  
Links with CADKEY via N/A. Works on N/A. Lists for: contact publisher

## COMPUTERS AND ACCELERATORS

---

### **COMPAQ PORTABLE 486c**

*The PORTABLE 486c provides powerful 33MHz 486 computing, 256 vibrant colors at VGA resolution, and high performance drives as required by demanding applications such as CAD and scientific analysis.*

COMPAQ COMPUTER CORPORATION ☎ 713 370 0670

Links with CADKEY, DataCAD, CUTTING EDGE via Other. Works on DOS. Lists for: \$8699 to \$9699

### **COMPAQ DESKPRO/M FAMILY**

*The COMPAQ DESKPRO/M Family features flexibility, expandability and high performance in six modular personal computers, ranging in power from the COMPAQ DESKPRO 386/25M to the COMPAQ DESKPRO 50M.*

COMPAQ COMPUTER CORPORATION ☎ 713 370 0670

Links with CADKEY, DataCAD, CUTTING EDGE via Other. Works on DOS. Lists for: \$2,599 to \$6199

### **COMPAQ LTE Lite/25 and COMPAQ LTE Lite/20**

*At a mere 6.0 pounds, the COMPAQ LTE Lite/25 and COMPAQ LTE Lite/20 pack an incredible array of useful features and powerful 386SL performance into magically small notebook PCs.*

COMPAQ COMPUTER CORPORATION ☎ 713 370 0670

Links with CADKEY, DataCAD, CUTTING EDGE via Other. Works on DOS. Lists for: \$2899 to \$4699

### **The Ultra Moby Brick**

*(3" x 8" x 11", 8.7 lbs.) The Ultra Moby Brick offers a 34 MIPS 50 MHz 486DX2 processor, up to 32MB of RAM, fast 212MB or 540MB hard disk, built-in 1280x1024 ATI Ultra 8514/a compatible graphics accelerator, fax/modem and hand scanner ports. Free 16 page catalog describes all Ergo products.*

ERGO COMPUTING, INC. ☎ 508 535-7510

Links with CADKEY via N/A. Works on DOS. Lists for: \$5095 and up

### **RapidCAD**

*The Intel RapidCAD™ Engineering CoProcessor is designed for use with the Intel386™ DX-based systems. RapidCAD accelerates performance in technical applications up to 70% and is compatible with over 2100 software packages.*

INTEL CORP ☎ 800 538-3373 X90

Links with CADKEY via Other. Works on DOS. Lists for: \$499 (suggested)

## COORDINATE MEASURING

---

### **APPS**

*APPS inputs part shape data from a manual coordinate measuring machine. It analyzes that data and generates the CADL file that defines the part. Full display, plot and edit support.*

ALDEN COMPUTER SYSTEMS, INC. ☎ 508 744-1314

Links with CADKEY, CUTTING EDGE via CADL. Works on DOS. Lists for: \$4500 to \$10000

### **CMM to CAD INTERFACE**

*Coordinate Measuring Machine utility that translates elements data (points, lines, planes, spheres, cylinders, and cones) into IGES, CADL and more...*

CARL ZEISS, INC. ☎ 612 533-0225

Links with CADKEY via CADL, IGES, Other. Works on DOS. Lists for: \$850.00

### **Metrecom Liberated CMM**

*The Industrial Metrecom, a liberated CMM, is a portable 3D measurement arm which combines speed, flexibility, and accuracy for design, reverse engineering, production, and quality control applications.*

FARO TECHNOLOGIES, INC. ☎ 407 333-9811

Links with CADKEY via CADL, CDE. Works on DOS, DEC, SGI, SUN. Lists for: \$9900 to \$34900

## Engineering Inspection Service

PML has the capabilities and resources to assist in Reverse Engineering projects, complete with CADKEY Drawings and/or 3-D Model. Engineers have used our models for finite element analysis and stereolithography models.

PRECISION MEASUREMENT LABS ☎ 310 871-4345

Links with CADKEY via CADL, IGES. Works on DOS, DEC, SGI, SUN. Lists for: quote depends on job

## DESIGN AND DRAFTING TOOLS

### 3rd DIMENSIONS

Supplements CADKEY's drafting features with Dual Dimensions, ISO Dimensions, Balloons, Centerlines, Coordinate Labels/Tables, Rotated Text, etc. Call for brochure.

ALLAN CAD TOOLS ☎ 503 659-9935

Links with CADKEY via CADL. Works on DOS, SGI. Lists for: \$195

### SPEED-DRAFT & SPEED-DRAFT PLUS TABLET OVERLAY

SPEED-DRAFT: Features direct access to CADKEY commands and includes several utilities (CADL). SPEED-DRAFT PLUS: Same as above but in addition contains library of mechanical symbols.

APPLICAD, INC. ☎ 514 335-4145

Links with CADKEY via CADL. Works on DOS. Lists for: \$25 to \$75

### DRAFT-PAK™ 5

Mechanical Design/Drafting productivity (ANSI/ISO). Parametric Features, Fasteners, Mechanical Elements, Geometric Tolerancing, Welding, Detailing, Layout Utilities, File Referencing, Attribute Tagging, Electrical/Fluid Power Symbols, Icon Loader, File Manager, and more! (See our ad) \*\*For int'l prices.

BAYSTATE TECHNOLOGIES ☎ 508 755-1172

Links with CADKEY via CADL, CDE. Works on DOS, SGI, SUN. Lists for: \$795™ to \$1095™

### Parametric Solution (PS)

Parametric Solution is an applications generator for creating parametric design programs in CADKEY's CADL language. It turns your dimensioned CADKEY part into a parametric program which you can create any variation of the design. \*\*Price difference occurs between DOS and UNIX. BBS: 708 640-1974

CADPRO CHICAGO, INC. ☎ 708 640-1853

Links with CADKEY via CADL. Works on DOS, DEC, SGI, SUN. Lists for: \$495 to \$995™

### GEORGE

Generates 2D drawings from 3D model - autoscales views, adds horizons, centerlines, removes redundant and unnecessary entities, automatically fills in the title block, generates BOM, etc. Handles huge files. Includes sectioning software.

DENCO, INC. ☎ 302 998-3662

Links with CADKEY via CADL. Works on DOS. Lists for: \$295

### DE/CAASE

DE/CAASE: The CAE Solution Handbook. DE/CAASE provides numerical/graphical solutions to 5000+ equations used by structural and mechanical engineers from 100+ books. Requires MSDOS and 256K memory. UNIX requires the XWindows system and the motif graphical user interface.

DESKTOP ENGINEERING ☎ 201 818-9700

Links with CADKEY via CADL, Other. Works on DOS, SUN, Other. Lists for: DOS \$1995 UNIX \$1995

### DVC Shapes

Parametric and rotatable shapes w/thickness generator. User chosen origin, absolute or incremental placement, automatic copies, grids. Does holes, rectangles, squares, trapezoids, keyholes, keyways, D, double-D, obrounds, user-definable shapes, etc...

DVC PLANNERS ☎ 714 926-1219

Links with CADKEY, CUTTING EDGE via CADL. Works on DOS. Lists for: \$225

# DRAFT-PAK™

## We wrote the book on mechanical CAD productivity;

New DRAFT-PAK 5 for CADKEY 5™ expands the definition of CAD power, beyond drafting tasks, with integrated modules that work for you in every phase of the design process. New modules that use CADKEY CDE™ technology have been created to instantly build and retrieve icon libraries, execute dynamic external file referencing, tag text attribute data to geometry, and much more. With DRAFT-PAK 5 you can continue to respond to the ever-changing marketplace with accuracy, consistency and speed. DRAFT-PAK 5 – simply the most complete and effective set of mechanical design tools available.

## ...don't miss the sequel.

Available exclusively from your  
CADKEY/DRAFT-PAK dealer.

### BAUSTATE TECHNOLOGIES

170 Goddard Memorial Drive, Worcester, MA 01603  
Phone: (508) 755-1172, FAX: (508) 795-1301

#### RELEASE 5

##### 2D AND 3D PARAMETRIC GEOMETRY

**FEATURES** Drilled, tapped, counterbored, countersunk, counterdrilled, slots, pockets; **FASTENERS** (Over 60 types) cap screws, machine screws, set screws, bolts, nuts, washers, rivets, dowels; **MECHANICAL ELEMENTS** Gears, racks, springs, sprockets, chains, bushings, bearings, structural beams, shafts

##### DIMENSIONING AND DETAILING FUNCTIONS

**DIMENSIONING AND TOLERANCING** rule-based geometric dimensioning and tolerancing; **WELD SYMBOLS**; **AUTOMATIC DRAWING** datums, datum targets, point targets, symbols – general dimensioning and surface finish, lines – section /center /basic dimension /offset dimension, balloon notes; **COORDINATE DIMENSIONING** dimensions x,y,z, locations, factors scaling and shrinkage; **DUAL DIMENSIONING**; **DIMENSION CHECKING** scans entire drawing, identifies dimensioning conflicts; **FEATURE LABELING** user-definable manufacturing labels for all parametric features

##### DRAWING LAYOUT ENHANCEMENT

**3D-2D COMPRESSION** removes duplicate entities, trims overlapping entities, projects arcs-on-edge to lines; **AUTOMATIC HORIZON LINE AND CENTER LINE** enables edits to drawings in layout mode, expedites the creation of layouts from a 3D wireframe; **ARCHIVE/FREEZE REVISIONS** maintains compact 2D form, transfers fully-compressed 2D drawings to other CAD systems; **BORDER/CHART SCRIPT FILES** records script files for standardized formats

##### USER-PROGRAMMABLE LIBRARIES

**ICON LOADER** automates building and retrieving libraries for symbols, pattern files, CADL® files, and macros; **FLUID POWER** hydraulic and pneumatic power diagrams; **ELECTRICAL** electrical and electronic schematic diagrams; **LOGIC** ladder logic, flowcharting; **PIPING** pipe fittings, valves; **SHEET METAL** technical drawings for structural metal work;

##### PRODUCTIVITY ROUTINES

**DYNAMIC EXTERNAL FILE REFERENCING** pattern files placed in assemblies by references, pattern-to-part-file associativity triggers automatic updates to all geometry when pattern files are changed; **ATTRIBUTE TAGGING** Builds user-definable script files to tag text data to geometry, exports to database or ASCII files, adapts data to complex database tasks; **FILE MANAGER** icon-based, CDE-windows interface provides file management from inside CADKEY 5, browse part file descriptor data for drawing file organization and tracking; **TRANSFORM OFFSET FUNCTION** creates draft angles or offset geometry for entities selected with MOVE, COPY, and JOIN options in CADKEY®; **POP-UP CALCULATOR** provides a list box for variables definition and editing, stores and retrieves part file variables, evaluates expressions;

##### WORK-SMART UTILITIES

**SET ATTRIBUTE**; **SET DEPTH**; **LEVEL MANAGER**; **PICTURE MANAGER**; **DRAWING STATISTICS**; **GENERATE ANSI HOLE CHARTS**; **FORMAT TABLES**

##### THE OPERATING ENVIRONMENT

User-friendly, CADKEY-like interface with CDE technology; CADKEY SOLIDS® compatible; Adapted from ANSI/ISO standards; User-definable defaults/configuration; Pop-up Help; Proportional "DPHELVSOL" font; Comprehensive manuals and tutorials



## **CK-Synergy**

*Diverse set of menu driven programs - hole code tables, basic dimension boxes, dimensional verification, true position dimensioning, many other programs, engineering and helvetica fonts, and CADKEY manual. Free demo disk. \*\*Discounts offered on orders of 10+.*

HANSEN DESIGN COMPANY ☎ 206 643-8528

Links with CADKEY via CADL. Works on DOS. Lists for: \$100 each \*\*

## **DESIGNERS' TOOLKIT**

*A high performance Drafting Package for CADKEY. Fully parametric NUTS, BOLTS, WASHERS, GEOMETRIC TOLERANCING, DRAFTING SYMBOLS, WELDING SYMBOLS, AUTODRAFT, QUIKVIEW, and much more. The easiest and fastest DRAFTING PACKAGE you'll ever see. \*\*Yearly maintenance agreements available.*

HLB TECHNOLOGY ☎ 703 977-6520

Links with CADKEY via CADL, CDE, Macros. Works on DOS, SUN. Lists for: \$299 \*\*

## **CADJET Master Template**

*Incredible performance enhancer for CADKEY. Available for CADKEY V3.1, 3.5, 4.X, 5.X and CUTTING EDGE. Put on your Digitizer and take 4-6 keystrokes off every command. Comes in 2 sizes 11x11 and 17x11. Laid out just like CADKEY. Easy to learn and use. 30 Day Free Trial. Full Money-Back Guarantee.*

HLB TECHNOLOGY ☎ 703 977-6520

Links with CADKEY, CUTTING EDGE via CDE, Macros. Works on DOS, SUN. Lists for: \$125 to \$249

## **Sections™**

*Hollow, angle, tee/zee, channel, beam and bar. Based on two points and user input for size and rotation, Sections will create the member relative to any specified construction plane.*

IMAGINEERING CADD SERVICES ☎ 416 771-9236

Links with CADKEY, CUTTING EDGE via CADL, CDE, Macros. Works on DOS. Lists for: \$49.95 + S&H

## **IMPRO**

*IMPRO is a library of 18 programs for designing all of the hydraulic passages for High Efficiency, Modern Centrifugal and Mixed-Flow Pumps, based on current state-of-the-art methods.*

IMPELLER PUMPS, INC. ☎ 203 429-0780

Links with CADKEY via CADL, Other. Works on DOS. Lists for: \$6000

## **MENU-COMMANDER**

*MENU-COMMANDER will give you access to over 250 CADKEY functions and 17 immediate mode commands through preprogrammed macros. Definable area for your macros. Several sizes and options are available.*

INNOVATIVE DESIGN CONSULTANTS ☎ 215 538-9613

Links with CADKEY via Macros. Works on DOS, DEC, SGI, SUN. Lists for: \$89.95 and up

## **SYMBOL GENERATOR BUNDLE**

*Complete set of drafting utilities. ANSI Y14.5M-82 Geometric tolerancing symbols. ANSI/AWS A2.4-86 Welding symbols. Also lets you explode dimensions, as well as trim and divide witness lines and leaders.*

JES ENGINEERING ☎ 619 463-5510

Links with CADKEY via CADL, CDE. Works on DOS. Lists for: \$195

## **SECTION**

*Reads SPAC-UNISURF CADKEY SURFACES. Intersects all parallel planes with surfaces in one operation, then computes intersections and normals.*

TOP LOG ☎ 011 (33) 1 42 04 21 18

Links with CADKEY via CADL. Works on DOS, SUN. Lists for: \$1,190

## Power Tools Bundle

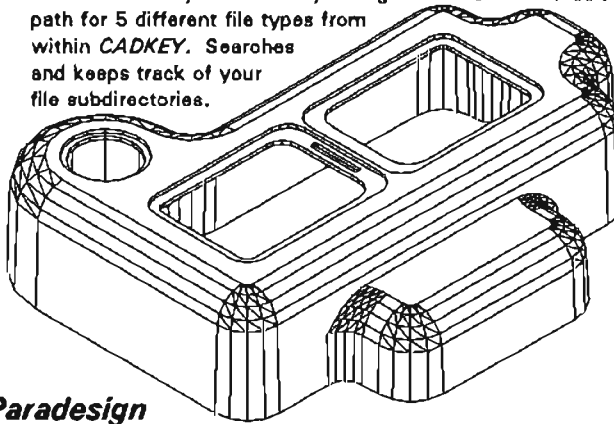
The *Paradesign* Bundle includes *Parapath 2.0*, an offset and fillet command operating on a path of lines and arcs in views 1-6, and a method to change/manage default file paths.

PARADESIGN ☎ 619 484-8386

Links with CADKEY via CADL. Works on DOS. Lists for: \$249.95

### **EXPRESS YOURSELF** with **PARAPATH™ 2.0**

- Most powerful extrude command ever offered CADKEY® Users.
- Instantly extrude your "PATH", composed of lines at any angle and tangent arcs, in CADKEY® Views 1-6.
- Add draft, fillets, rounds, and wall thickness.
- Ideal for modeling complex molded/cast part designs.
- New dialog box type user interface.
- Extensive tutorial in an all new manual makes learning easy.
- Call for a free demo disk and product brochure.
- Other *Paradesign* products include a powerful offset command, a fillet along a path command, a CADKEY Install Program for 3rd Party Developers, and *PATHCHANGE™*. With *PATHCHANGE* you can easily change the CADKEY default path for 5 different file types from within CADKEY. Searches and keeps track of your file subdirectories.



**Paradesign**  
14235 Classique Way  
San Diego, CA 92129  
FAX/VOICE (619)484-8386

A CADKEY® Exclusive  
Solution Partner.

---

## DOCUMENT MANAGEMENT

### **ACTView**

*Manages your CADKEY database and drawings. Powerful LST/LD, showing files across multiple directories; add 30 character descriptors to your files; create drawing or pattern associations with "indented bill" database; check-out and archive, etc. Call for brochure.*

*\*\*\$595 price for 5 seat license.*

ALLAN CAD TOOLS ☎ 503 659-9935

Links with CADKEY via CADL. Works on DOS. Lists for: \$295 to \$595\*\*

### **CADMANDU**

*CADMANDU manages drawing files, engineering changes, associated files and automated revision control in a networked environment. A powerful database engine and productivity tools deliver increased productivity to everyone in the engineering/design process.*

BARATEK, INC. ☎ 800 223-6638

Links with CADKEY via Other. Works on DOS, DEC, SGI, SUN. Lists for: \$699

### **FindWare**

*Record key information about paper drawings and electronic documents in a database. Electronically locate all paper drawings, raster files, and technical documents. Locate and load CADKEY drawing files with FindWare. \*\*Price difference is between the stand alone version and the network version.*

SOFTWARE VENTURES, INC. ☎ 616 344-0708

Links with CADKEY via CADL, Other. Works on DOS. Lists for: \$195 to \$695\*\*

### **DMS Pro v1.1**

*DMS Pro is a comprehensive drawing and document management system designed to support the access, management and control of Cadkey files and other documents.*

*Extensive reporting options include a natural language query system, QBE and SQL.*

*Operates on all major networks, database servers (SQL) and supports host links.*

VAN DER ROEST GROUP, INC. ☎ 714 542 2201

Links with CADKEY, CUTTING EDGE via CDE. Works on DOS, SUN. Lists for: \$995 single, \$2750 /5

---

## FONTS

### **Precision Fonts for CADKEY®**

*High resolution typeset quality fonts for CADKEY and CUTTING EDGE used for technical literature, control panels, silk screens, engravings, etc.*

ARCDRAFT AMERICA ☎ 904 389-4899

Links with CADKEY, CUTTING EDGE via Other. Works on DOS, DEC, SGI, SUN. Lists for: \$49 TO \$279

### **E-Z Fonts**

*Offering several different font styles for CADKEY. Works with all versions of CADKEY and CADKEY Light. Integrates directly into CADKEY's menus. CADKEY Font Manager and ANSI Symbols include with each font. Fonts also available for CUTTING EDGE.*

HLB TECHNOLOGY ☎ 703 977-8520

Links with CADKEY, CUTTING EDGE via Other. Works on DOS, SUN. Lists for: \$49.95 Ea.

FONTPAC \$299

---

## GIS

### **Digital Maps**

*Street Maps, County Maps, State Maps, World Maps in digital vector format for use in CADKEY. Maps generated from the USGS Digital Line Graph, CIA World Data Bank, and Census Bureau TIGER Line Data.*

MICRO MAP & CAD ☎ 303 988-4940

Links with CADKEY via Other. Works on DOS. Lists for: \$25 per 7.5 quadrangle

## GRAPHICS CARDS

---

### **QVision Graphics System from Compaq**

*This new family of two multiscanning, high resolution monitors and two accelerated graphics controllers provides fast response, stunning color, and exceptional clarity - all at an outstanding value.*

COMPAQ COMPUTER CORPORATION ☎ 713 370 0670

Links with CADKEY, DataCAD, CUTTING EDGE via Other. Works on DOS. Lists for: \$599 to \$1299

## INPUT DEVICES

---

### **WIZ**

*A productivity tool that combines the features of a mouse and an intelligent graphics tablet. It enhances pointing and drawing functions, and cuts down on keystrokes and menu picking.*

CALCOMP ☎ 800 458-5868

Links with CADKEY, CUTTING EDGE via CADL, DCAL. Works on DOS, Other. Lists for: \$199

### **3DRIVE**

*A stand alone program that interfaces with Polhemus' family of 3D digitizers. Users can generate geometry (lines, polygons, splines, etc.) and manipulate model viewing. Interfaces with CADKEY via CADL file transfer.*

POLHEMUS ☎ 802 855-3159 x 234

Links with CADKEY via CADL. Works on DOS. Lists for: CALL

## KINEMATICS

---

### **DE/MEC**

*DE/MEC: The Mechanism Designer. DE/MEC is a powerful yet simple mechanism design, analysis, animation and optimization tool. Using Windows 3.0 and a mouse, it can also interface with CAD systems.*

DESKTOP ENGINEERING ☎ 201 818-9700

Links with CADKEY via Other. Works on DOS, Other. Lists for: \$1495

### **Cadkiss2**

*Cadkiss2 is a complete kinematics and simulation package for CADKEY. It can be used for mechanism design, robotics, factory design, traffic engineering and more. Built in functions can be used to optimize the solution, providing the most economical or efficient result.*

I.S.T. GMBH ☎ 011 49-6245-1795

Links with CADKEY via CADL. Works on DOS. Lists for: call

### **MICRO-MECH**

*A mechanism design/analysis system to assemble and analyze a planar mechanism to determine kinematic motion, dynamic and static forces and effects of tolerance. Uses CAD interface for geometry transfer and assembly views to CAD.*

MECHTECH SOLUTIONS ☎ 612 483-0649

Links with CADKEY via CADL. Works on DOS. Lists for: \$995

### **Mechanica - Applied Motion®**

*A mechanism analysis and design optimization product providing static, kinematic, dynamic and inverse dynamic analysis functionality in a complete 3D tool. It offers a fully automated design sensitivity capability making it easy to evaluate many design alternatives.*

RASNA ☎ 408 922-6833

Links with CADKEY via CADL, IGES, Other. Works on DOS, DEC, SGI, SUN. Lists for: contact vendor

### **DieCAM**

*An automatic compound die design system. Takes user through parameter selection, generates 2D and 3D drawings, spring placement, knock outs, standard component BOM.*

ACTION CAD/CAM, INC. ☎ 716 875-4336

Links with CADKEY via CADL. Works on DOS, DEC, SGI, SUN. Lists for: \$3995

### **LaserCAM**

*An interactive CNC programming system for lasers and burners. Includes precise speed and power control. One code generator is included.*

ACTION CAD/CAM, INC. ☎ 716 875-4336

Links with CADKEY via CADL. Works on DOS, DEC, SGI, SUN. Lists for: \$1995

### **Tool Designer's Assistant**

*This design library contains over 3400 3D CADKEY pattern files of industry standard tooling components. Any clamp, locator, rest, fixture, base, etc. can be quickly retrieved and inserted. Complete documentation with isometric views of every part type, with dimensions, is included.*

CARR LANE MANUFACTURING CO. - CAD/CAM SERVICES DIV. ☎ 314 647 6200

Links with CADKEY, CUTTING EDGE via Other. Works on DOS, Other. Lists for: \$95

### **VERICUT**

*VERICUT - Software that interactively stimulates, verifies, and displays the metal removal process of an numerical control (NC) tool path and runs on most popular workstations and 386/486 PCs.*

CGTECH ☎ 714 753-1050

Links with CADKEY via Other. Works on DOS, DEC, SGI, SUN. Lists for: contact vendor

### **CAM Manager for CUTTING EDGE™**

*Parametrically automates die maker's tasks by generating screw holes, drilled holes, pockets, etc. Automatically generates tools used, speeds and feeds, and order of procedure for use in CUTTING EDGE.*

DYNAMIC ENHANCEMENTS ☎ 011-61-2-829-3275

Links with CUTTING EDGE via CDE. Works on DOS. Lists for: contact vendor

### **dPACE**

*Process Planning and Cost Estimating for Manufacturing Labor and Materials. Uses CADKEY drawing for input and creates CUTTING EDGE tool list.*

MSR, INC. ☎ 613 821-3632

Links with CADKEY, CUTTING EDGE via CDE. Works on DOS. Lists for: \$3495

### **QUIKCAM**

*A fully automated post-processor for 2 axis cutting machines. Creates tool path, leadin and leadout and cutting sequence automatically.*

MTC LTD. ☎ 716 433-7722

Links with CADKEY via CADL, IGES. Works on DOS. Lists for: \$2250

### **ACU.TOOLS+**

*An NC machining package that creates NC code directly from CADKEY part data without translation. ACU.TOOLS+ provides for milling, pocketing, drilling, tapping, etc..., 2 & 4 axis wire EDM capabilities.*

OLMSTED ENGINEERING CO. ☎ 616 946-3174

Links with CADKEY via CADL, CDE. Works on DOS. Lists for: \$2495

## **CAM Router with interface to CADKEY® & CUTTING EDGE™**

The Techno computer controlled CAD/CAM Production Centers you can do routing, drilling and milling very affordably (starting from \$9974.00). There are 5 systems to choose from 19" x 21" up to 49" x 41". All systems include the control drive electronics but not the CADKEY or CUTTING EDGE™ programs.

TECHNO/ISEL U.S.A. DIVISION ☎ 516-328-3970

Links with CADKEY, CUTTING EDGE via IGES, Other. Works on DOS. Lists for: \$10000 to \$16000

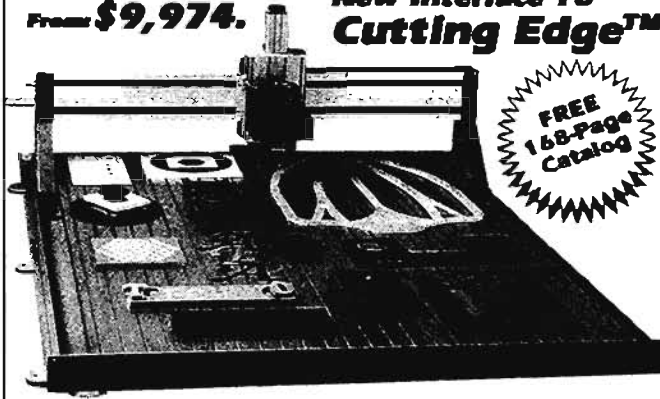
**Affordable CAD/CAM**

### **Production Center**

**For Drilling, Milling, Routing, Dispensing**

**From \$9,974.**

**New Interface To  
Cutting Edge™**



**FREE  
168-Page  
Catalog**

*Simply send your artwork, disk  
or product for a free evaluation.*

- Draw it ... then produce it in Cutting Edge™. Easy to learn.
- Includes 19" x 21" actual working area (5 other sizes)
- Programmable Z axis with 7", 11", or 19" of travel.
- Includes 3 HP variable speed router.
- Includes interface to Cutting Edge™ software for drilling, milling or routing.
- Cuts plastic, wood, MDF, foam, aluminum, brass, etc.
- Perfect for all your engraving applications.
- Cutting Edge™ program not included.
- Dealer Inquiries Welcomed.

**Techno**  
**Isel** LLC  
Division

2101 Jericho Turnpike, Box 6416,  
New Hyde Park, NY 11042-5416  
Phone: 516-328-3970 • Fax: 516-326-8827

### **PROLINES**

*PROLINES is just one of a dozen state-of-the-art design and analysis tools for naval architecture. PROLINES provides b-spline surfaces, parametric design, hydrostatics, stability and drag computation.*

VACANTI ☎ 206 277-0288

Links with CADKEY via CADL, Other. Works on DOS. Lists for: \$750 to \$1200

## MOLD ANALYSIS

---

### **C-MOLD**

*A complete FEM/FDM mold-filling, cooling and warpage analysis program for improving injection molded product quality. Over 2,400 materials in database, 15,000 element capacity. Simulations also available for blow molding, thermoforming, gas-assisted molding, co-injection, thermoset and RIM.*

AC TECHNOLOGY ☎ 502 266 6727

Links with CADKEY, CUTTING EDGE via IGES, Other. Works on DOS, DEC, SGI, SUN, Other. Lists for: \$1500 - \$10000

## MOLD MAKING

---

### **DRAFT-PAK™/MOLD 5**

*Parametric program (2D/3D) for plastic injection mold designers. Generates components and mold bases. Ejector / core / leader pins, sleeves, bushings, support pillars, fasteners, features, detailing symbols, hole charts, BOM functions, A/B series bases, and more.*

BAYSTATE TECHNOLOGIES ☎ 508 755-1172

Links with CADKEY via CADL, CDE. Works on DOS. Lists for: TBD

### **CK/MOLD™ DESIGN**

*CK/MOLD is a parametric program which generates component and mold base geometry from within CADKEY 5. Users may select defaults for color, level, groups, 2D/3D, etc. \*\*Price varies from DOS to UNIX.*

D & L INCORPORATED ☎ 708 487-1000

Links with CADKEY via CADL. Works on DOS, SGI, SUN. Lists for: \$425 to \$775\*\*

### **PC/MOLD™ CAD DATABASE**

*PC/MOLD is a library of pre-drawn pattern files of mold components and mold bases. Component files are easily retrieved and placed into the mold design. \*\*To qualified mold design personnel.*

D & L INCORPORATED ☎ 708 487-1000

Links with CADKEY via Other. Works on DOS, SGI, SUN. Lists for: no charge\*\*

### **National/Dynamics Mold Design Software**

*Automatic plate-by-plate breakdowns in 2D/3D that dimension, detail and section moldsets. Comprehensive Bill of Materials. Instant balloons. Unmatched user-definable dimensioning/detailing. CNC "G" codes. Over 100,000 standard and custom National and DME components. More...(BBS 708 885-3710)*

ENGINEERING DYNAMICS ☎ 708 885-3636

Links with CADKEY, CUTTING EDGE via CADL, CDE, IGES, Other. Works on DOS, Other. Lists for: \$595 to \$4990

### **MOLDBASE**

*A product to automate the design of plastic injection molds. HASCO, DME US and EU modules are available, including drafting utilities and Bill of Material generation.*

INTER CAD ☎ 011 351 2 200 9979

Links with CADKEY, CUTTING EDGE via CADL. Works on DOS. Lists for: \$700

### **MOLDFLOW/CADKEY® Link**

*LINK empowers its users to design elegant models faster and more accurately. This two-way modeler and translator allows the user to create and modify CADKEY part drawings for MOLDFLOW plastic flow analysis. \*\*UNIX price. Maintenance contracts available DOS/\$500 UNIX/\$800.*

SOFTWARE VENTURES, INC. ☎ 616 344-0708

Links with CADKEY via CADL, CDE. Works on DOS, DEC, SGI, SUN. Lists for: \$2400 to \$3600\*\*

## PIPING

### **Isometric Piping Components**

*Pictorial isometric line illustrations of commonly used piping or plumbing components such as tees, elbows, unions, valves, clamps, hosebarbs, plugs, caps, reducers, etc. for isometric view layouts and parts drawing.*

GRAPHICS UNLIMITED ☎ 404 452-8797

Links with CADKEY via CADL, CDE, IGES, Other. Works on DOS, DEC, SGI, SUN. Lists for: \$89 to \$109

### **RAMP Design Series**

*RAMP produces true 3D models and 2D projections of models which can be imported directly by CADKEY via CDL. Also included is interference checking and complete bills of material.*

MACOLA, INC. ☎ 800 468-0834

Links with CADKEY via CADL, Other. Works on DOS. Lists for: \$2995

## PLOTTING

### **FLOT 3**

*FLOT turns your printer into an HP pen plotter. No jagged lines, fast, vary your line width. Works through HPGL and supports most printers, both B&W and color. Screen preview-zoom-pan.*

FLOT CORPORATION ☎ 718 545-3505

Links with CADKEY, CUTTING EDGE via Other. Works on DOS. Lists for: \$119 + \$3 shipping

### **LONGPlot**

*LONGPlot is an extended length plot processor for CADKEY V4.06 & up. It works with virtually any HPGL compatible roll feed plotter. Permits plot lengths limited only by paper length on the roll.*

INNOVATIVE DESIGN SYSTEMS ☎ 412 962-1860

Links with CADKEY via CADL, Other. Works on DOS. Lists for: \$125

### **ProTracer Monochrome Inkjet Printer/Plotter**

*This A through C-size desktop device is ideal for large-format drawings and business applications. Fast, precise 360-dpi text and graphics make ProTracer a low-cost, high quality alternative to laser and pen devices. PostScript, HP-GL, and AppleTalk options available. Requires HP-GL Emulation Card. BBS*

PACIFIC DATA PRODUCTS ☎ 819 552-0880

Links with CADKEY via Other. Works on DOS. Lists for: \$1499 list



### **ACTools' UTILITIES**

*More than 40 utilities which integrate directly into CADKEY menus. Create offset arcs, splines, and profiles (w/ draft, tool); dynamically edit/drag arcs; set default paths w/in CADKEY; verify coordinates from any datum; many, many more. Call for brochure.*

ALLAN CAD TOOLS ☎ 503 659-9935

Links with CADKEY via CADL. Works on DOS, SGI. Lists for: \$195

### **ABC-Part Manager**

*ACHIEVE BETTER CONTROL of complex models or assembly drawings by replacing CADKEY's level, viewing, and color controls with a pop-up on-screen graphical interface. ABC-PartManager assists you in managing, tracking, checking and moving, multiple-component assemblies of any complexity through point-and-click buttons and icons while viewing the part in real-time. Includes automatic backup protection. 256 colors required. 800x600 resolution suggested minimum.*

ALTON BORING ☎ 313 522-9595

Links with CADKEY via CDE. Works on DOS. Lists for: \$195

### **DRAFT-PAK™ PROFESSIONAL TABLET OVERLAY 5**

*Contains icons for the most common functions of CADKEY and DRAFT-PAK. Each icon executes multiple keystrokes - no more searching through menu trees! Automated installation, color-coded, may be customized - add your macros. For international pricing contact your international CADKEY/DRAFT-PAK dealer.*

BAYSTATE TECHNOLOGIES ☎ 508 755-1172

Links with CADKEY via Other. Works on DOS, SGI, SUN. Lists for: \$195 and up

### **LONGNAME**

*Provides 25 character names for CADKEY part files. Drawing names are pre-sorted to first 3, 4, 5, or 8 characters. Saving, load, list/load, print and delete are supported. Additional document control modules available 3rd quarter 1992. \*\*Price difference due to networking.*

GERI ENGINEERING ☎ 415 594-0102

Links with CADKEY via CADL. Works on DOS. Lists for: \$79.95 to \$395\*\*

### **Anthropos**

*Anthropos is a 3D ergonomic stencil which allows the user to create and manipulate wireframe human figures in CADKEY. All body shapes, sizes and types, for both male and female figures are included. All models may be biomechanically controlled through menus, with animation, mass properties, scaling and more...*

I.S.T. GMBH ☎ 011 49-6245-1795

Links with CADKEY via CADL. Works on DOS. Lists for: call

### **JOINT-IT**

*Will analyze waste percentage and ISO standard tolerances in 2D of mechanical parts. Six different frequency functions. Calculation methods: total changeability or statistical law. Result of calculations can be stored separately for easy comparison.*

MULTICAD/TORMA ☎ 011 (36) 11-138-217

Links with CADKEY via CADL. Works on DOS, SGI, SUN. Lists for: \$500

### **WinMaster**

*WinMaster is a powerful utility set which has been designed to make users' work with Windows faster, easier, informative and more enjoyable. WinMaster includes Toolbox, KwikInfo, Power Disk and Kwik Vault.*

PC-KWIK CORPORATION ☎ 800 365-5945

Links with CADKEY, DataCAD, CUTTING EDGE via Other. Works on DOS. Lists for: contact dealer

### **PC-KWIK Power Pak with Power Disk**

Increase the speed of your PC by 3 to 9 times. Included are a disk cache, screen and keyboard accelerators, screen blanker, print spooler, RAM disk and command line editor. Significant performance improvements are obtained when using Cadkey products. Now includes PC-Kwik Power Disk at no extra charge.

PC-KWIK CORPORATION ☎ 800 365-5945

Links with CADKEY, DataCAD, CUTTING EDGE via Other. Works on DOS. Lists for: contact dealer

### **VOLUMIX**

Volumix is a deformable volumetric modeler: reading of 3D wireframe geometry and CADKEY surfaces, part assembly, boolean operations, parametric geometry, instantaneous sections, permanent hidden line removal mode, automatic plan layout.

TOP LOG ☎ 011 (33) 1 42 04 21 18

Links with CADKEY via CADL. Works on DOS, SUN. Lists for: \$1,780

## **PROGRAMMING**

### **CAD/CAM Developer's Kit / 3D**

A library of C functions for 3D geometry calculations and DXF I/O in CDE and other types of C programs. These routines are used to save months of math derivations when implementing sophisticated CAD/CAM features such as 3D curve projection.

BUILDING BLOCK SOFTWARE ☎ 617 899-4350

Links with CADKEY via CDE. Works on DOS, Other. Lists for: \$999

### **CAD/CAM Developer's Kit / 2D**

A library of C functions for 2D geometry calculations and DXF I/O in CDE and other types of C programs. These routines are used to save months of math derivations when implementing sophisticated CAD/CAM features such as spline offsetting and intersection.

BUILDING BLOCK SOFTWARE ☎ 617 899-4350

Links with CADKEY via CDE. Works on DOS, Other. Lists for: \$499

## **Develop CDE, CAD/CAM, GIS, A/E/C Products ON TIME AND UNDER BUDGET**

**with Building Block Software's  
CAD/CAM Developer's Kit (CCDK) Series**

**2-D • 3-D • DXF • NC-Milling • NC-Turning**

**What are the CAD/CAM Developer's Kits?**

The CCDKs are libraries of C functions which support standard CAD/CAM features such as reading and writing DXF files, constructing, editing and graphically displaying 2D and 3D CAD geometry, and computing numerical control toolpaths.

**What can the CCDKs be used for?**

For many types of programs and software products that need vector based graphics... CAD/CAM... mapping... GIS... A/E/C... motion control... desktop publishing... robotics ...

**The only limit is your imagination!**

**What are CCDK users saying?**

"We saved at least six months of development"  
Gaetano Tavano, President, STLD Italy

"Using CCDK we went from specification to working program in just two days"  
John Pentecost, Software Engineer, Bay State Technologies

"The CAD/CAM Developer's Kit saved me 500+ hours"  
Randall Maynes, Robotics Consultant

**What platforms are CCDKs used on?**

Many including DOS, Macintosh, UNIX, and CADKEY CDE.

**What do the CCDKs cost?**

Kit prices start at \$ 499.  
Source code, maintenance and  
site licenses are available.  
371 Moody Street  
Waltham, MA 02154



**Building  
Block  
Software**

Voice (617) 899-4350 • Fax (617) 899-4399

**TG-Professional v4.0**

*The ultimate CAD/CAM/CAE graphics development package for C/C++ programmers. Over 800 2D and 3D geometric and graphics applications routines. Interfaces with CADKEY (now) and CUTTING EDGE (Q4'92).*

DISK SOFTWARE, INC. ☎ 214 423 7288

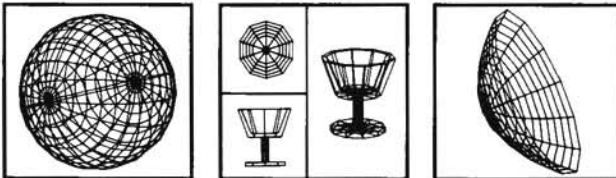
Links with CADKEY, CUTTING EDGE via CDE. Works on DOS, Other. Lists for: \$500

**CAD/CAM/CAE GRAPHICS  
KIT for C AND C++**

**TG-PROFESSIONAL v.4.0**

"The Ultimate CAD/CAM/CAE Programming Engine"

A library of over 800 2D and 3D geometric routines for CAD/CAM/CAE applications. Includes Hidden Line Removal, Curves, NURBS, Surfacing, Solids, transformations, Perspective, 2D/3D Clipping, Polygon (Int/Union/Diff) list management, DXF Input/Output. Interface directly to CADKEY through CDE modules.



You save both time and money when you invest in TG-Professional v.4.0 "The Ultimate CAD/CAM/CAE Programming Engine". TG-Professional 4.0 consists of TG-2D, TG-3D and TG-Utilities Development Kits. Compatible with MetaWare High C/C++, WATCOM C, MSC/C++, Borland C/C++. A Technical White Paper on TG-Professional is available upon request.

**TO ORDER: CALL 1-800-635-7760 OR  
FAX 214-423-7288**

Disk Software Inc. 2116 E. Arapaho Rd., Suite 487,  
Richardson, TX, USA 75081. 214-423-7288 Fax 214-423-7288  
1-800-635-7760

## **COLORKEY**

*Professional presentation of solid images. Colorkey allows you to control the color and presentation of any solid without reverting to CADKEY SOLIDS. Changes are made directly from the CADKEY menu quickly and easily.*

APPLICAD, INC. ☎ 514 335-4145

Links with CADKEY via CADL. Works on DOS. Lists for: \$100.00

## **Digital Artist Render Manager**

*Digital Artist Render Manager is an easy to use renderer and interactive scene composition tool which is fully compatible with CADKEY SOLIDS output files. Rendering tools include true 3D shadows, reflections, depth cueing, atmospheric shaders and more. Cameras and shaders are controlled through on-screen graphical boxes.*

DIGITAL ARTS ☎ 818 972-2112

Links with CADKEY via CADL. Works on DOS, SGI. Lists for: \$1495 - \$16950

## **ImageCELS®**

*Make your renderings come alive! ImageCELS are seamless, photorealistic, high resolution texture maps & image libraries. Building materials, industrial finishes landscape & environmental images are easy to use! Color photo-index.*

IMAGETECTS, INC ☎ 408 525-5487

Links with CADKEY, DataCAD via Other. Works on DOS. Lists for: \$99 to \$495

# SCANNING

## **TRACER**

*Tracer is a "head-up" digitizing program with raster and vector editing on the same drawing screen. This Windows application program is ideal for getting paper drawings into CADKEY.*

ARBOR IMAGE CORP. ☎ 313 741-8700

Links with CADKEY via CADL, IGES, Other. Works on DOS, DEC, SGI, SUN. Lists for: HS\$199 PF\$495 LF\$895

## **DRAFTSMAN**

*Draftsman is a high quality Raster-to-Vector program producing lines, arcs, and circles. Draftsman is available in DOS, SparcSTATION, and Windows versions and has a seamless interface with Tracer.*

ARBOR IMAGE CORP. ☎ 313 741-8700

Links with CADKEY via CADL, IGES, Other. Works on DOS, DEC, SGI, SUN. Lists for: HS\$199 PF\$795 LF\$1695

## **SCANNING/CONVERSION Services for CADKEY®**

*Scanning for CADKEY Overlay: A through Roll Sizes; Paper/Mylar/Vellum, ApCard, Roll Film, Fiche Media. Complete Conversion Services: Quick Turnaround, Rectified, Clean and Accurate CAD data.*

PRC ENGINEERING SYSTEMS ☎ 708 955-1515

Links with CADKEY via CADL, IGES, Other. Works on DOS, DEC, SUN. Lists for: quoted on project basis

## **CADKEY® Overlay**

*Electronic tracing paper for displaying scanned images (.RLC format) of old paper drawings. Includes tools for correcting horizontal and vertical alignment errors of raster images and converting most raster formats into .RLC.*

SOFTWARE VENTURES, INC. ☎ 616 344-0708

Links with CADKEY via CDE. Works on DOS, DEC, SGI, SUN. Lists for: \$1000

### **ProFold Flat Pattern Development**

*Automatically unfolds and folds drawings of sheet metal parts. Powerful and easy to use, ProFold includes interactive menus and prompts. User specifies the compensation or K-factor to calculate bend deductions.*

APPLIED PRODUCTION, INC.

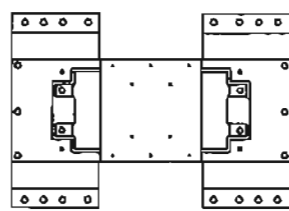
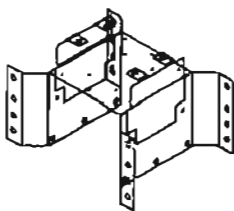
☎ 513 831-8800

Links with CADKEY, CUTTING EDGE via CADL.

Works on DOS. Lists for: \$2500 to \$3000

# ProFold

## Flat Pattern Development



- Easy to use - Minimal input requirements
- Develops correct flat blank layout
- Handles bends of any angle
- Auto. calc. or user specified bend allowance
- Automatically adds thickness to folded parts
- User has full control of the bending operation
- Part may be drawn with or without thickness
- No restrictions on levels, colors or line types

**Applied Production, Inc.**  
200 TechnoCenter Drive, Suite 202  
Milford, Ohio 45150 USA  
Tel: (513) 831-8800 Fax: (513) 831-1236

### **ProFab Sheet Metal CAM System**

*Knowledge based system with a complete machine and tool database. Features include automatic tool selection, nesting, and optimization. Generates efficient machine code for all makes of CNC turret punch press.*

APPLIED PRODUCTION, INC. ☎ 513 831-8800

Links with CADKEY, CUTTING EDGE via CADL. Works on DOS. Lists for: \$9500

### **DRAFT-PAK™/DIE 5**

*Parametric program for progressive die designers. Create dies and die components (punches, bushings, pins, fasteners, and more). Utilities for bend allowances, material usage, progression, layout, die sets, hole charts, BOM, and more.*

BAYSTATE TECHNOLOGIES ☎ 508 755-1172

Links with CADKEY via CDE. Works on DOS. Lists for: TBD

## **qSHEET**

*Produces 3D rendered image of sheet metal part from single sided input file, and multiple view hidden line removed drawing layout for dimensioning. Bend reliefs added automatically.*

CONSULTING SERVICES INTERNATIONAL ☎ 818 994-8881

Links with CADKEY via CADL. Works on DOS, SGI, SUN. Lists for: \$995

## **Danly/Dynamics Die Design Software**

*Unlimited combination of standard and progressive Danly die sets and components including punches, springs and IEM products. Automatic Bill of Material with catalog numbers, component descriptions and counts. Unmatched user-definable dimensioning and detailing for dies and die sets. More... (BBS 708 885-3710)*

ENGINEERING DYNAMICS ☎ 708 885-3636

Links with CADKEY, CUTTING EDGE via CADL, CDE, IGES, Other. Works on DOS, Other. Lists for: \$495 to \$2495

## **GeoPOINT™ Interactive Programming**

*Low cost sheet metal CNC fabrication system with tool selection and path optimization, automatic CNC programming and repositioning and semi-automatic nesting of parts.*

*Works with all CADKEY versions.*

SAYLORS SOFTWAREFIRST ☎ 612 934-7451

Links with CADKEY via CADL. Works on DOS, Other. Lists for: \$6950

## **GeoPOINT™ IV**

*Total sheet metal CNC fabrication system. Includes automatic, push-button folding & unfolding, automatic tool selection & tool path optimization, automatic repositioning and complete CNC parts and sheet programming. Interfaces with GeoCIM™. \*\*Prices vary from DOS to UNIX.*

SAYLORS SOFTWAREFIRST ☎ 612 934-7451

Links with CADKEY via CADL. Works on DOS, Other. Lists for: \$13,500 to \$16900\*\*

## **GeoNEST™ 2.0**

*Rectangular nesting of unlimited parts and sheet sizes per due dates/priorities with full efficiency reporting of parts, arrays, and kitting assemblies. Includes right angle or straight shearing with GeoPOINT. Tracks sheet inventory. \*\*Prices vary from DOS to UNIX.*

SAYLORS SOFTWAREFIRST ☎ 612 934-7451

Links with CADKEY via CADL. Works on DOS, Other. Lists for: \$7900 to \$9500 \*\*

## **GeoNEST™ Advanced**

*Automatically nests all parts based on due dates/priorities regardless of shape; nest within parts and around defects on all sheets including odd shaped remnants; controls inventory and interfaces with GeoPOINT for all cutting post processors. \*\*Prices vary from DOS to UNIX.*

SAYLORS SOFTWAREFIRST ☎ 612 934-7451

Links with CADKEY via CADL. Works on DOS, Other. Lists for: \$15900 to \$18900 \*\*

## **GeoFOLD™ 3.0**

*Automatically creates (1) fully dimensioned, unfolded flat of parts/assemblies of common thickness from single or double - sided wire frame CAD designs, (2) solids and full bend reliefs, automatic notching, line labeling and multiple K factors. \*\*Prices vary from DOS to UNIX.*

SAYLORS SOFTWAREFIRST ☎ 612 934-7457

Links with CADKEY via CADL. Works on DOS, Other. Lists for: \$3975 to \$4900 \*\*

## **TRANSPAK IV**

*Transpak IV develops complex transitions in seconds instead of hours, using a personal computer. The applications are unlimited since the 40 basic shapes can be modified to fit any size, with offsets and compound angles. \*\*Includes interface through CADL.*

SOLUSOFT DATA GROUP, INC. ☎ 804 587-4771

Links with CADKEY via CADL. Works on DOS. Lists for: \$755 \*\*

## SIMULATION

---

### **VSA (Variation Simulation Analysis Software)**

*VSA is a tolerance analysis package that predicts assembly variation during the design phase. It determines the location(s) of the variation, the contributing factors, and their percentage of contribution.*

APPLIED COMPUTER SOLUTIONS, INC. ☎ 313 774 2640

Links with CADKEY, CUTTING EDGE via IGES. Works on DOS, Other. Lists for: VSA2D-\$750, VSA3D-\$5000

## SURFACES

---

### **FastSURF**

*It's fun, it's powerful, and it's a bargain at twice the price. FastSURF is a parametric surface modeler with all the functions seen within expert high end systems.*

FASTSURF ☎ 714 282-8093

Links with CADKEY via CADL, CDE, IGES, Other. Works on DOS, SGI, SUN. Lists for: \$2195

## SYMBOL LIBRARIES

---

### **CADD DATA-BASE LIBRARIES**

*Over 40 application specific pattern(ptn) and parts(prt) libraries for drafting and design. Libraries available for mechanical, electrical, electronic, civil, structural, piping, PI&D, ergonomics, hydraulics, pneumatics, architectural and other disciplines.*

CAD TECHNOLOGY CORP. ☎ 407 773-5142

Links with CADKEY, CUTTING EDGE via Other. Works on DOS. Lists for: contact vendor

### **CADsymbols**

*6,000 symbols for mechanical design, drafting, electrical, fasteners. Metric, DIN, ISO, plus ANSI standard graphical symbols: fluid power, HVAC, heat power apparatus, pipe fittings, process flow. On-line catalog production services.*

PARAGRAPHICS PUBLISHING, INC. ☎ 203 665 7119

Links with CADKEY, CUTTING EDGE via Other. Works on DOS. Lists for: \$100 per library

## TRANSLATORS

---

### **The Integrator**

*Provides professional CAD data exchange software and services - in the U.S., Europe and Japan - to ensure accurate CAD translation between manufacturing companies and their suppliers - database to database.*

C-TAD ☎ 313 665-3287

Links with CADKEY, CUTTING EDGE via IGES, Other. Works on DOS, Other. Lists for: approximately \$5,000

### **HPGL to CADKEY® Translator**

*Translates Hewlett-Packard graphics language files to CADKEY. "Feature Recognition" recreates the original CAD elements where possible (for example: circles are recreated as circles). Other translators are also available.*

TAILOR MADE SOFTWARE ☎ 206 631-1513

Links with CADKEY via CADL. Works on DOS. Lists for: \$395

### **HiJaak**

*The ultimate conversion utility. Supports multiple vector and raster drawing formats, including: HPGL, TIFF, PCX, WMF, WPC, PICT1 and 2, GEM, DRW, CGM and CADKEY document exchange output. Ideal for capturing or converting files for DTP as well.*

INSET SYSTEMS ☎ 203 740-2400

Links with CADKEY, DataCAD, CUTTING EDGE via Other. Works on DOS.

Lists for: \$249. Special CADKEY offer = \$189

# Hijaak<sup>®</sup>

## The **Ultimate** conversion utility for CADKEY.

In this fast paced world of electronic communication, it has become increasingly important to...

### Keep in Touch!

Connectivity -- the ability to get there from here -- is an important issue in the CAD world. The Hijaak family of graphics tools is dedicated to your need to make graphics convertible from format to format, and application to application.

### Hijaak converts images from format to format.

Hijaak gives you quality conversions that maintain the integrity and detail of your drawings. Complex CAD graphics - including 3D images -- convert accurately to or from a wide range of vector formats, including HPGL, WMP, WPG, PICT 1 and 2, GEM, DRW, and CGM in its many application "flavors".

### Hijaak converts images from application to application.

Your drawings are complete. Now you must include them in a proposal, report, or documentation manual. Hijaak is here again to smooth your way from CADKEY DXF into 36 formats compatible with virtually any word processing or DTP application on the market today. Hijaak also converts images into 34 custom TIFF "flavors". And if your flavor of TIFF is not currently supported by Hijaak, a special utility called SCANTIFF will add that flavor.



### Inset Systems

71 Commerce Drive, Brookfield CT 06804-3405  
203-740-2400  
Fax 203-775-5634

All product names are trademarks of their respective companies.

### SPECIAL OFFER!

Just for mentioning this  
ad (#90), we will give you

**\$60 Off**  
List Price

**Hijaak**  
\$249

To Order Call  
**800-DR INSET**  
(800-374-6798)



## VIEWERS

### ForReview

*ForReview is a Markup and Review product that allows reviewing, printing and annotating CAD and other graphics files without modifying the original. Many raster and vector formats are supported.*

ADVANCED TECHNOLOGY CENTER - ATC ☎ 714 583-9119

Links with CADKEY via IGES, Other. Works on DEC, SGI, SUN, Other. Lists for: Contact Vendor

### CADView

*CADView for Windows is an inexpensive solution for viewing, navigation, printing and plotting CADKEY part and pattern files (other formats available), and the dynamic exchange of CAD vector data with other Windows applications. Call our BBS 203 659-3187 for your FREE working model.*

UNITEC ☎ 203 659-4030

Links with CADKEY, CUTTING EDGE via Other. Works on DOS. Lists for: \$495

### KeyView v1.1

*KeyView is a quick view utility designed to directly view, analyze, print and plot CADKEY \*.prt files. Viewing is performed 3-5 times faster and ideally suited for non-CAD users. A graphical interface permits panning, zooming, level and view analysis.*

VAN DER ROEST GROUP, INC. ☎ 714 542-2201

Links with CADKEY, CUTTING EDGE via CDE, Other. Works on DOS, SUN.

Lists for: \$295 single, \$1495 /20



## AutoVue


AutoVue is a viewing and management tool for drawings and documents. AutoVue allows you to quickly view, browse, print, plot, redline, overlay, manage and translate CADKEY files and other CAD and raster formats.

CIMMETRY SYSTEMS ☎ 514 735-3219

Links with CADKEY, CUTTING EDGE via Other. Works on DOS, Other. Lists for: call vendor

**MULTI-FORMAT MULTI-PLATFORM  
DOCUMENT VIEWING & MANAGEMENT**

# AutoVue



- CADKEY PRT.
- AutoCAD DWG, DXF, DXB, SLD.
- Intergraph / Microstation DGN.
- Generic CADD.
- HP-GL, HP-GL/2 plot-files.
- Calcomp PCI-906/907.
- Scanned files RLC, RLE, NRF.
- PCX Paintbrush, Windows BMP.
- IMG, GEM Ventura.
- TIFF uncompressed, G. III & IV.
- CALS CCITT Group IV, Fax.
- Text ASCII and Wordperfect.
- Wordperfect WPG, Lotus PIC.
- CompuServe GIF
- Macintosh MAC files
- and more...

**View and Browse**

**Print and Plot**

**RedLine**

**Overlay**

**Manage (DDBMS)**

**File Conversion**


  

**DOS**

**WINDOWS 3**

**UNIX**

**Network support.**



**Cimmetry  
Systems Inc.**

**Tel: 1-800-361-1904**  
**1-514-735-3219**  
**Fax: 1-514-735-6440**

AutoVue is a registered trademark of Cimmetry Systems Inc.  
All other brand and product names are trademarks or registered trademarks of their respective owners.

## INDEX BY PRODUCT NAME:

3DRIVE .....	26
3rd DIMENSIONS .....	21
ABC-Part Manager .....	31
ACTools' UTILITIES .....	31
ACTView .....	25
ACU.TOOLS+ .....	27
An Introduction to CAD Using CADKEY® .....	19
Anthropos .....	31
APPS .....	20
ASCAE .....	16
AutoVue .....	39
Beginning CADKEY® Light .....	19
Beginning DataCAD® .....	19
BldWall .....	16
BLOCKER Space planning macro .....	16
C-Mold .....	29
CAD/CAM Developer's Kit / 2D .....	32
CAD/CAM Developer's Kit / 3D .....	32
CADD DATA-BASE LIBRARIES .....	37
CADJET Master Template .....	23
CADKEY® 5 .....	14
CADKEY® ANALYSIS .....	14
CADKEY® Fundamentals .....	19
CADKEY® IGES Translator .....	14
CADKEY® Light .....	14
CADKEY® Light Videos .....	19
CADKEY® Light: A Handbook .....	18
CADKEY® Light: CADD for Engineers and Technicians .....	19
CADKEY® Overlay .....	34
CADKEY® SURFACES .....	14
CADKEY® UX .....	14
cadKEYNOTE VS: 3.01 .....	16
Cadkiss2 .....	26
CADMANDU .....	25
CADsymbols .....	37
CADView .....	38
CAM Manager for CUTTING EDGE™ .....	27
CAM Router with interface to CADKEY® & CUTTING EDGE™ .....	28
Cases Templates for DataCAD® .....	16
CK-Synergy .....	23
CK/MOLD™ DESIGN .....	29
CMM to CAD INTERFACE .....	20
COBRA .....	17
COLORKEY .....	34
COMPAQ DESKPRO/M FAMILY .....	20
COMPAQ LTE Lite/25 and COMPAQ LTE Lite/20 .....	20
COMPAQ PORTABLE 486c .....	20
CUTTING EDGE™ .....	14
Danly/Dynamics Die Design Software .....	36
DataCAD® .....	15
DataCAD® 128 .....	15
DataCAD® for the Architect, Second Edition .....	19

DataCAD® Velocity® .....	15
DataCAD® Videos .....	19
DE/CAASE .....	21
DE/MEC .....	28
DESIGNERS' TOOLKIT .....	23
DieCAM .....	27
Digital Artist Render Manager .....	34
Digital Maps .....	25
DMS Pro v1.1 .....	25
dPACE .....	27
DRAFT-PAK™ 5 .....	21, 22
DRAFT-PAK™ BILL OF MATERIALS GENERATOR 5 .....	18
DRAFT-PAK™ PROFESSIONAL TABLET OVERLAY 5 .....	31
DRAFT-PAK™/DIE 5 .....	35
DRAFT-PAK™/MOLD 5 .....	29
DRAFTSMAN .....	34
DVC Shapes .....	21
E-Z Fonts .....	25
Engineering Graphics on the PC with CADKEY® .....	19
Engineering Inspection Service .....	21
Exploring CADKEY® (v1,v3) .....	19
FastSURF .....	37
FindWare .....	25
ForReview .....	38
FLOT 3 .....	30
Fundamentals of CAD with CADKEY® for Eng. Graphics .....	18
GeoFOLD™ 3.0 .....	36
GeoNEST™ 2.0 .....	36
GeoNEST™ Advanced .....	36
GeoPOINT™ Interactive Programming .....	36
GeoPOINT™ IV .....	38
GEORGE .....	21
Graphics for Engineers with CADKEY® .....	18
HiJaak .....	37, 38
HPGL to CADKEY® Translator .....	37
ImageCELS ® .....	34
IMPRO .....	23
Integrator .....	37
Isometric Piping Components .....	30
JOINT-IT .....	31
KeyView v1.1 .....	38
LaserCAM .....	27
Learning CADKEY® (version 4 and CADKEY® Light) .....	19
LONGNAME .....	31
LONGPlot .....	30
Mastering CADKEY® .....	18
Mechanica - Applied Motion® .....	26
Mechanica - Applied Structure® .....	17
MENU-COMMANDER .....	23
Metrecom Liberated CMM .....	20
MICRO-MECH .....	26
MOLDBASE .....	29
MOLDFLOW/CADKEY® Link .....	30
mTAB/SAP386 .....	17
National/Dynamics Mold Design Software .....	29
Organic CADD Presentation and Production Library .....	16

Parametric Solution (PS).....	21
PC-KWIK Power Pak with Power Disk.....	32
PC/MOLD™ CAD DATABASE.....	29
PLASTIC PRODUCT DESIGN WITH CADKEY®.....	18
Power Tools Bundle.....	24
Precision Fonts for CADKEY®.....	25
Problems in Eng. Dwg. and Desc. Geom. Using CADKEY®.....	18
ProFab Sheet Metal CAM System.....	35
ProFold Flat Pattern Development.....	35
PROLINES.....	29
ProTracer Monochrome Inkjet Printer/Plotter.....	30
QBIDS Professional Estimator.....	17
qSHEET.....	36
QUIKCAM.....	27
QVision Graphics System from Compaq.....	26
RAMP Design Series.....	30
RapidCAD.....	20
Realtime.....	17
RoofBuilder 2.5.....	17
ROTLAT.....	17
SCANNING/CONVERSION Services for CADKEY®.....	34
SECTION.....	23
Sections™.....	23
SET-TEXT and SET-LINE (plotsensitive macros).....	17
SPEED-DRAFT & SPEED-DRAFT PLUS TABLET OVERLAY.....	21
SYMBOL GENERATOR BUNDLE.....	23
TG-Professional v4.0.....	33
Tool Designer's Assistant.....	27
TOUCHUP 3D Model hatching macro.....	16
TRACER.....	34
TRANSPAK IV.....	36
Ultra Moby Brick.....	20
Using CADKEY®.....	18
Using CADKEY® Light.....	18
VERICUT.....	27
VOLUMIX.....	32
VSA (Variation Simulation Analysis Software).....	37
WinMaster.....	31
WIZ.....	26



## LAST MINUTE ADDITIONS:

### **The Shuttle Series™:DrawInG Direct - Write®**

*DrawInG Direct - Write is part of The Shuttle Series for CADKEY 5. DrawInG Direct - Write works directly in CADKEY 5 and allows the writing of AutoCAD(r) .DWG files directly from CADKEY. There is no translation / conversion necessary. All dimensions, blocks, circles, arcs, text, etc. are retained as in the original drawing.*

SAGG Computers and Electronics ☎ 516 938 6422 Fax: 516 938 6422  
Links with CADKEY via CDE. Works on DOS / other. Lists for: \$395.

### **The Shuttle Series™:DrawInG Direct - Read®**

*DrawInG Direct - Read is part of The Shuttle Series for CADKEY 5. DrawInG Direct - Read works directly in CADKEY 5 and allows the reading of AutoCAD(r) .DWG files directly into CADKEY. There is no translation / conversion necessary. All dimensions, blocks, circles, arcs, text, etc. are retained as in the original drawing.*

SAGG Computers and Electronics ☎ 516 938 6422 Fax: 516 938 6422  
Links with CADKEY via CDE. Works on DOS / other. Lists for: \$695. Read and Write \$995.

### **IDoCS - Integrated Document Control System**

*IDoCS is designed to control and distribute all types of engineering documentation (paper and electronic formats) electronically. Features include revision control, document viewing, document search, electronic approvals, network support and more...*

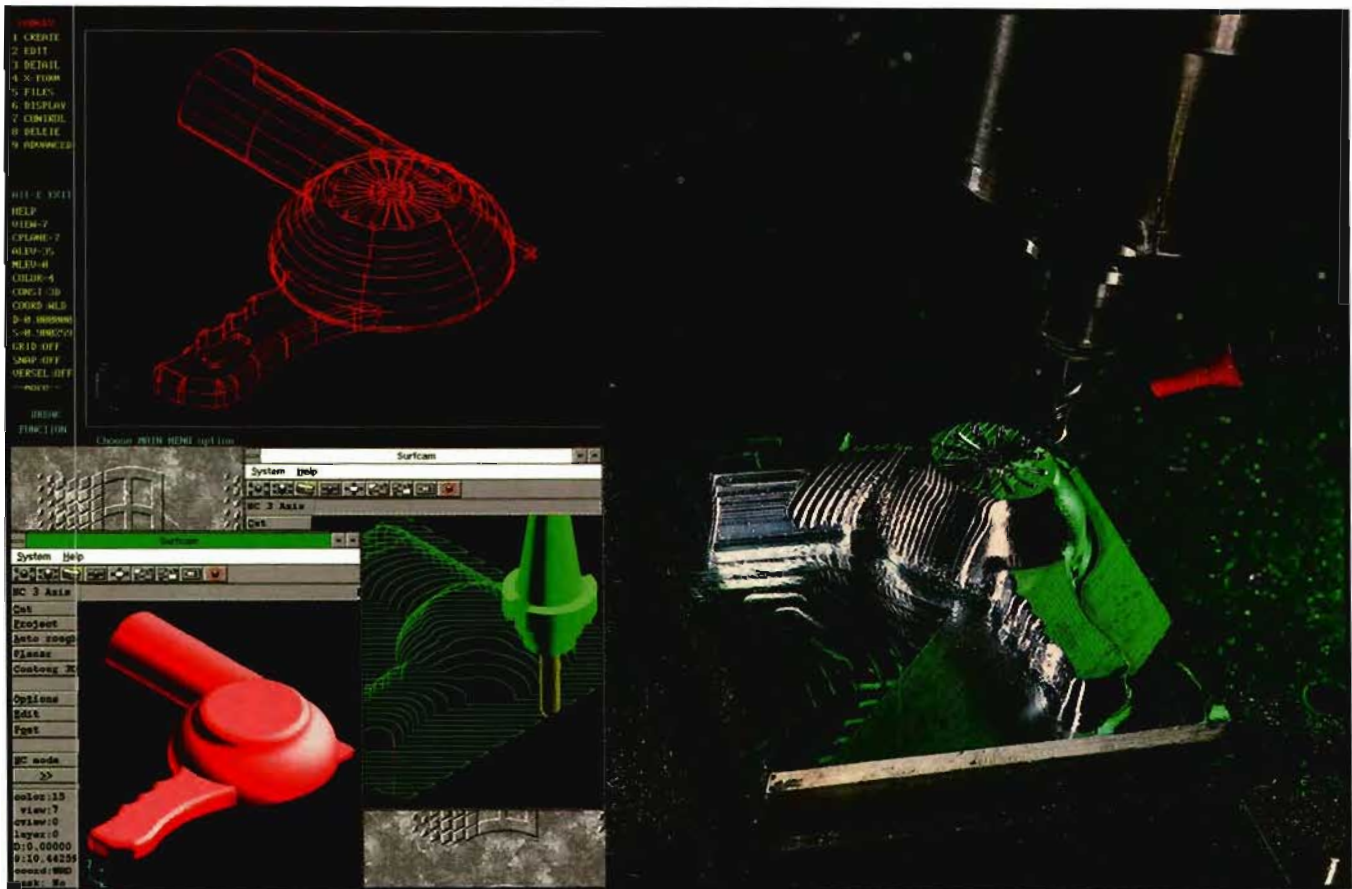
Micro Engineering Solutions ☎ 203 630 3630 Fax: 203 630 3348  
Links with CADKEY via other. Works on DOS / other. Lists for: call vendor.

### **Keyplot / Disksave / Moustab / Pathdat**

*A complete line of productivity tools and utility software. Keyplot spools plots in background while you continue to design with CADKEY. Disksave compresses part and pattern files from within CADKEY. Moustab gives you tablet functions on screen, and Pathdat gives you full control over CADKEY .prt, .ptn and .cdl paths on the fly!*

Cadtech Systems ☎ 203 793 8355 Fax: 203 747 5931  
Links with CADKEY via other. Works on DOS. Lists for: Contact vendor.

# YOU DESIGN IT, SURFCAM CUTS IT.



If you're creating a design with CADKEY, SURFCAM will cut it. Because SURFCAM's bi-directional translators move designs to manufacturing with 100% data integrity.

Similar menus and construction concepts make it easy to move between systems.

Plus you can work with SURFCAM's true surface models to generate optimized tool paths with automatic gouge avoidance.

And create or import trimmed NURBS surfaces for one-step, gouge-free surface cutting. Contain tool paths within cutter boundary splines to guarantee gouge-free cutting up to adjacent surfaces.

Powerful 2, 3, 4 and 5 axis systems for CNC mills, lathes, wire EDMs, lasers, waterjets, routers, digitizers

and CMMs, including support for simultaneous 4 and 5 axis machining. All SURFCAM systems ship with both DOS and 32 bit windows versions.

Call us today. Demo disk is \$15 on VISA/MC.

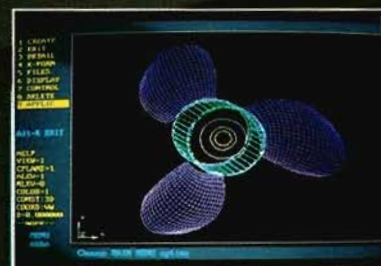
**800/488-3615**

**SURFCAM®**

SURFWARE INCORPORATED  
421 Park Avenue San Fernando, CA 91340  
818/361-5605 Fax 818/361-1919

# 3D DIGITIZER

## Direct 3D Input to AutoCAD® and CADKEY®



*Introducing a new evolution in product design, reverse engineering, and coordinate measuring machines...*

**The Metrecom by FARO Technologies Inc.**

The Metrecom's articulated arm measures points and orientations of objects in complete 3D for direct serial port input to AutoCAD, CADKEY and other leading software packages. Custom interfaces are available. Simply connect the Metrecom to your system like another mouse!

Digitize single points or polylines. Measure very large objects with our unique "leap frog" technique. The Metrecom is portable, durable, and gives you convenient, affordable precision in an instant! Call today and discover this amazing device for yourself.

Made in the U.S.A.

**FARO**  
**METRECOM®**

FARO Technologies Inc.  
Industrial Division  
125 Technology Park  
Lake Mary, Florida 32746

(800) 736-6063

(407) 333-9911